

Principle Applications

Water circulation, re-circulation & cooling duties in beverage, laboratory, agricultural, print, photographic & industrial processing applications

Wetted Materials

PP Pump Body
Ceramic spindle
Nitrile 'O' ring

Features

Magnetically coupled, sealless leak-free design
Pump body orientation easily altered to suit installations
Variable mounting foot positions
Discharge heads to 2 metres

Options

BM8/2
230V 1ph 50/60 Hz
230V 1ph 50/60 Hz

Port Details
Plain 13 mm
1/4" BSP M

BM8/2
110V 1ph 50/60 Hz
110V 1ph 50/60 Hz

Port Details
Plain 13 mm
1/4" BSP M



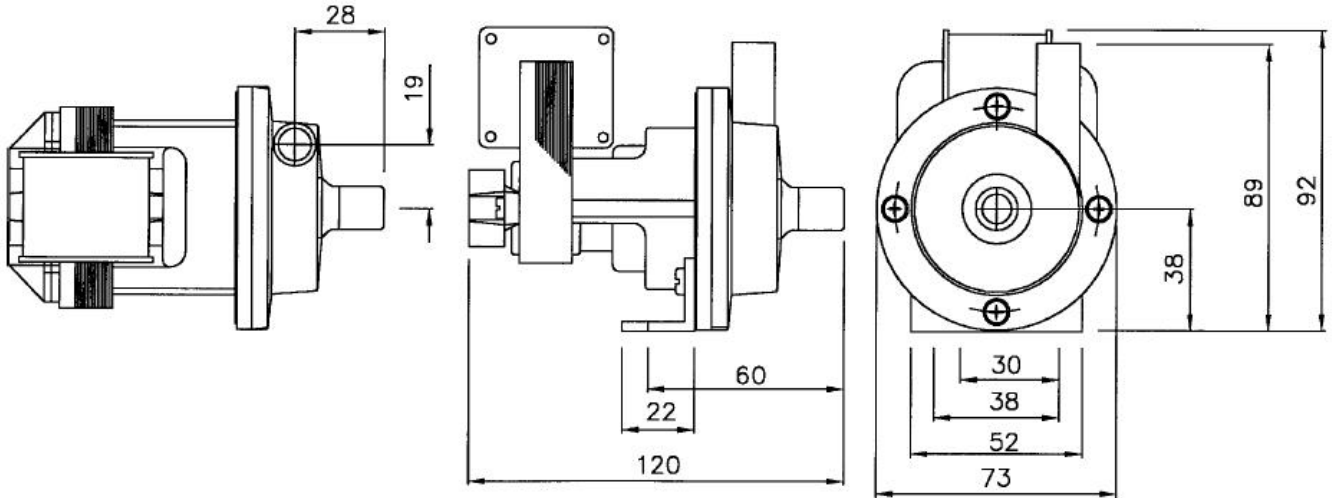
Engineered for life



Installation

Drawings not to scale
Dimensions in millimetres

BM8/2

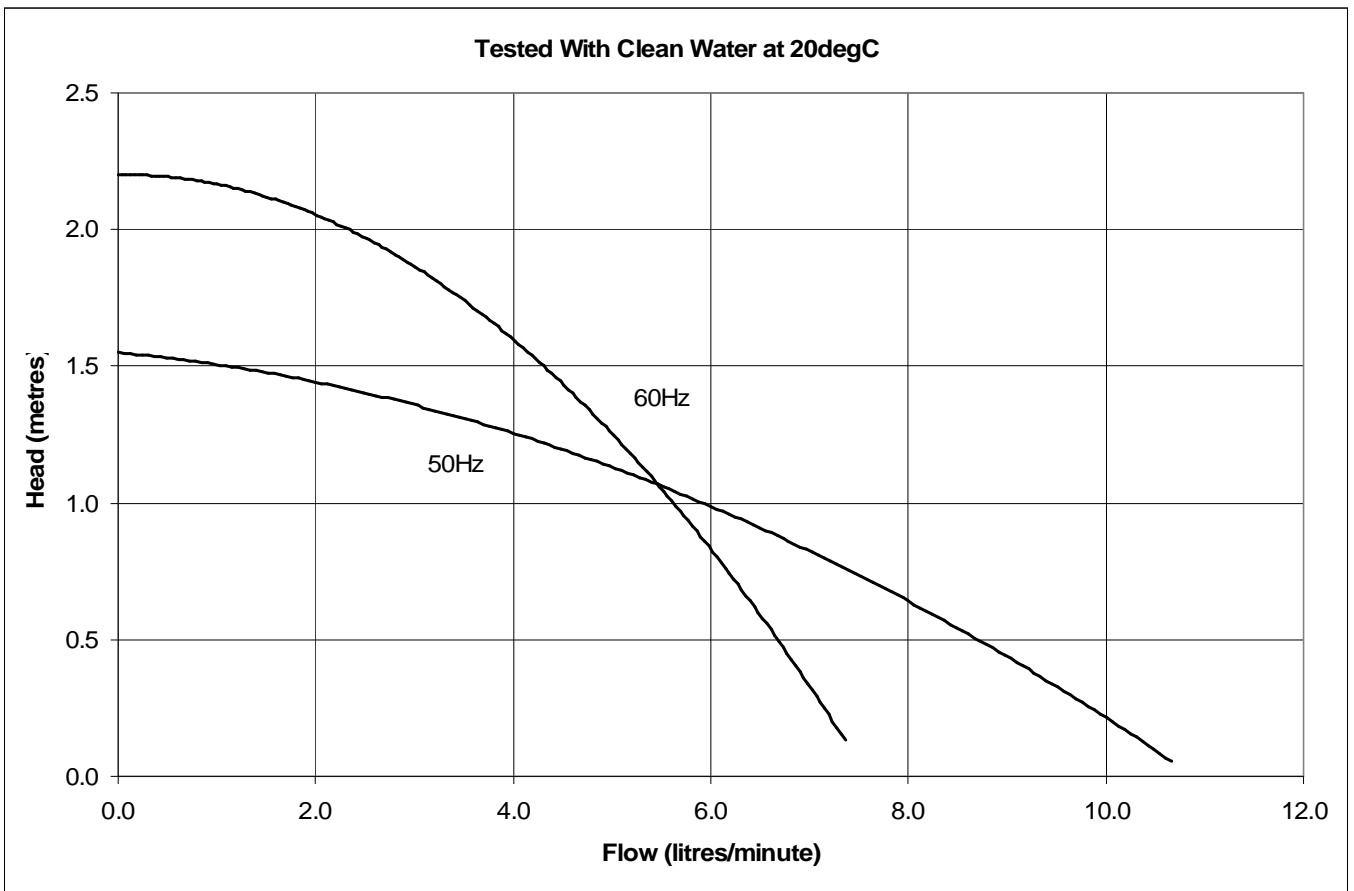


Specification

Model	Overall height (mm)	Overall length (mm)	Overall width (mm)	Weight (kg)	Max body pressure (bar)	Run-out flow rate (l/min)	Closed valve head (m)	Temp range (degC)	*Max specific gravity	Motor output (watts)
BM8/2	92	120	73	0.9	1.4	50 Hz 10	1.6	-20 to +85	1.0	5
						60 Hz 7	2.2			

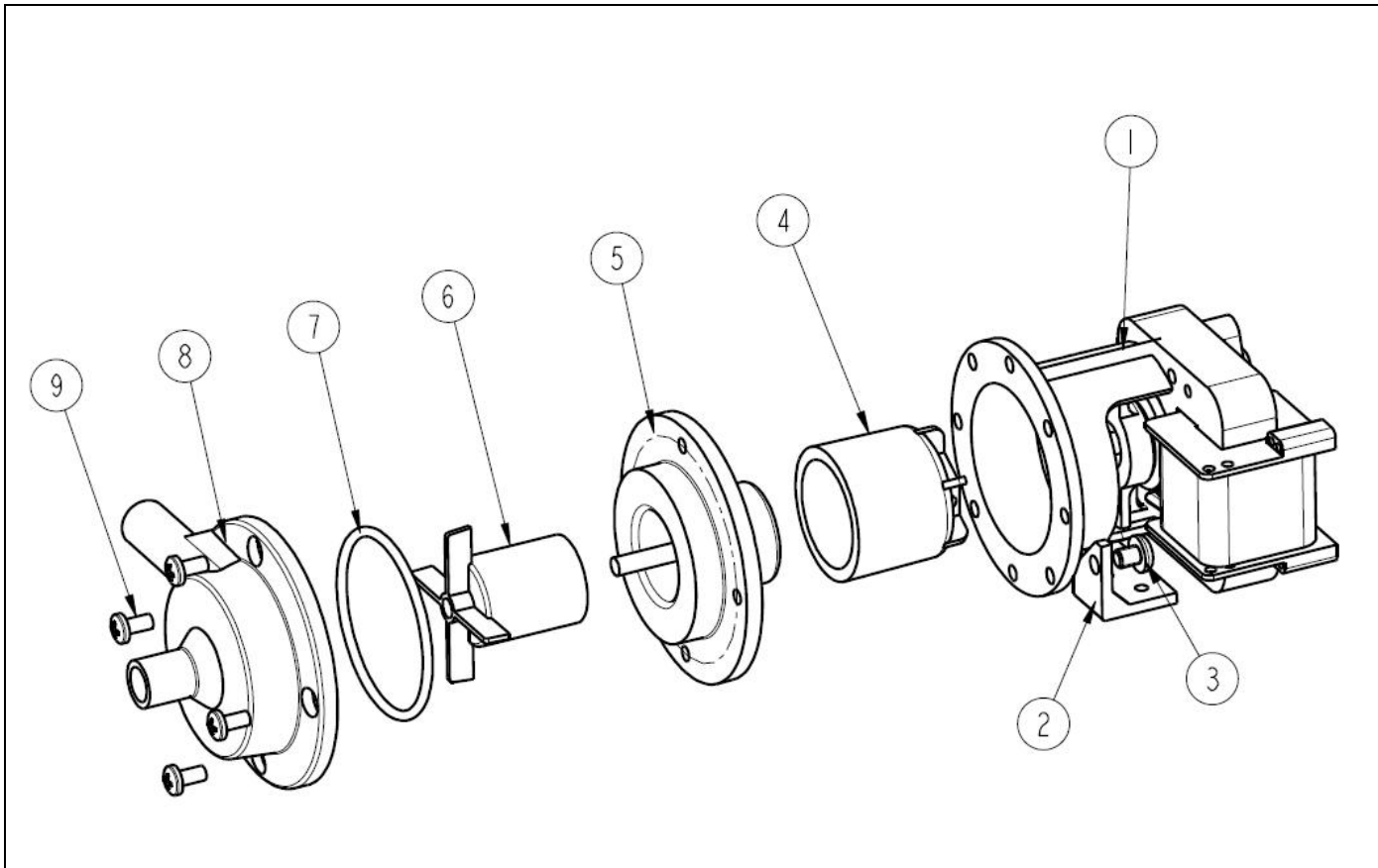
*Assuming maximum viscosity of 30cp. Refer to Totton Pumps for higher viscosities and specific gravities

Performance



BM pumps are not self-priming and are not designed to run dry.
The company reserves the right change specifications.

Part List



Item Number	Description	Quantity	Part Number
1	Motor	1	-
2	Mounting Bracket	1	043308
3	Screw		021096
4	Drive Magnet	1	023267
5	Spindle Housing	1	003271
6	Impeller	1	003355
7	O-ring	1	003224 (Nitrile)
8	Pump Body	1	013358 (plain) 003369 (threaded)
9	Screw	4	022126

Totton Pumps Ltd.
 Tel: +44 (0) 23 8066 6685
 Fax: +44 (0) 23 8066 6880
 Email: info@totton-pumps.com
 Web: www.totton-pumps.co.uk