

Principal Applications

Specifically developed for applications requiring cost effective high head, continuous low flow for the transfer and recirculation of water and glycol solutions.

Wetted Materials

Brass spindle
Nitrile 'O' ring
PP/PPS pump housing
Alumina ceramic graflon loaded PTFE thrust washers

Features

Magnetic couplings provide an energy efficient thermal shield, minimising heat transfer to the pumped fluids

Variable pump body orientation
Adaptable mounting foot positions
Compatible with standard fittings
IPX5 motor enclosure

Deep groove ball bearings

GP20/12
230V 1Ph 50Hz
230V 1Ph 50Hz

Port Details
Plain 15 mm
3/8"bsp Male

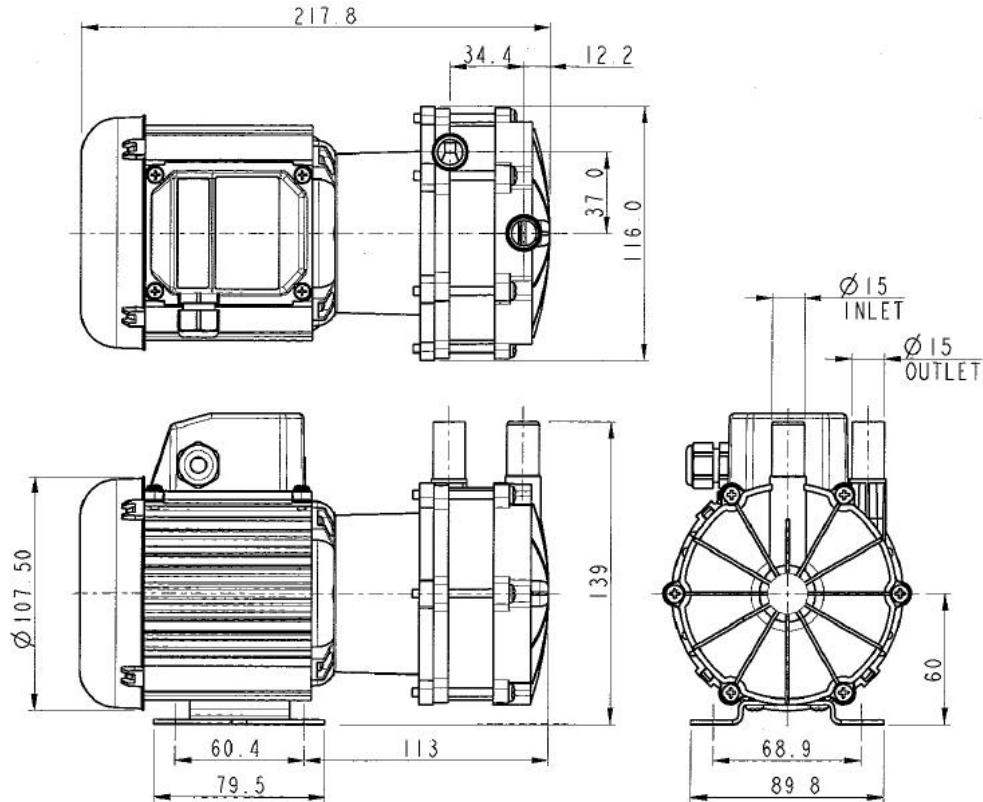
GP20/12
110V 1Ph 50Hz
110V 1Ph 50Hz

Port Details
Plain 15 mm
3/8"bsp Male

Installation

Drawings not to scale
Dimensions in millimetres

GP20/12

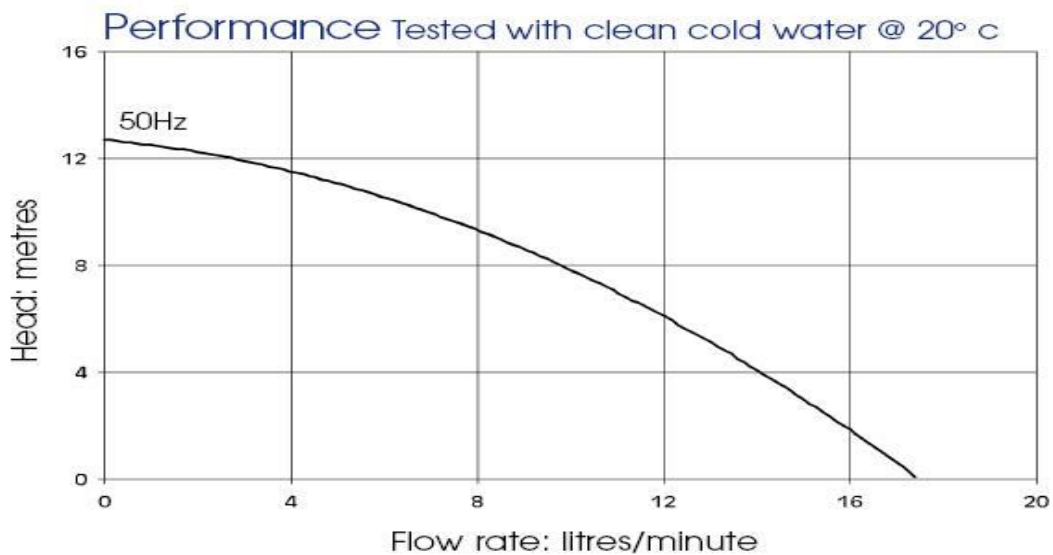


Specification

Model	Overall height (mm)	Overall length (mm)	Overall width (mm)	Weight (kg)	Max body pressure (bar)	Run-out flow rate (l/min)	Closed valve head (m)	Temp range (degC)	*Max specific gravity	Motor output (watts)
GP20/12	143	218	116	2.8	2.5	17.4	12.7	-20 to +85	1.2	60

*Assuming maximum viscosity of 30cp. Refer to Totton Pumps for higher viscosities and specific gravities

Performance

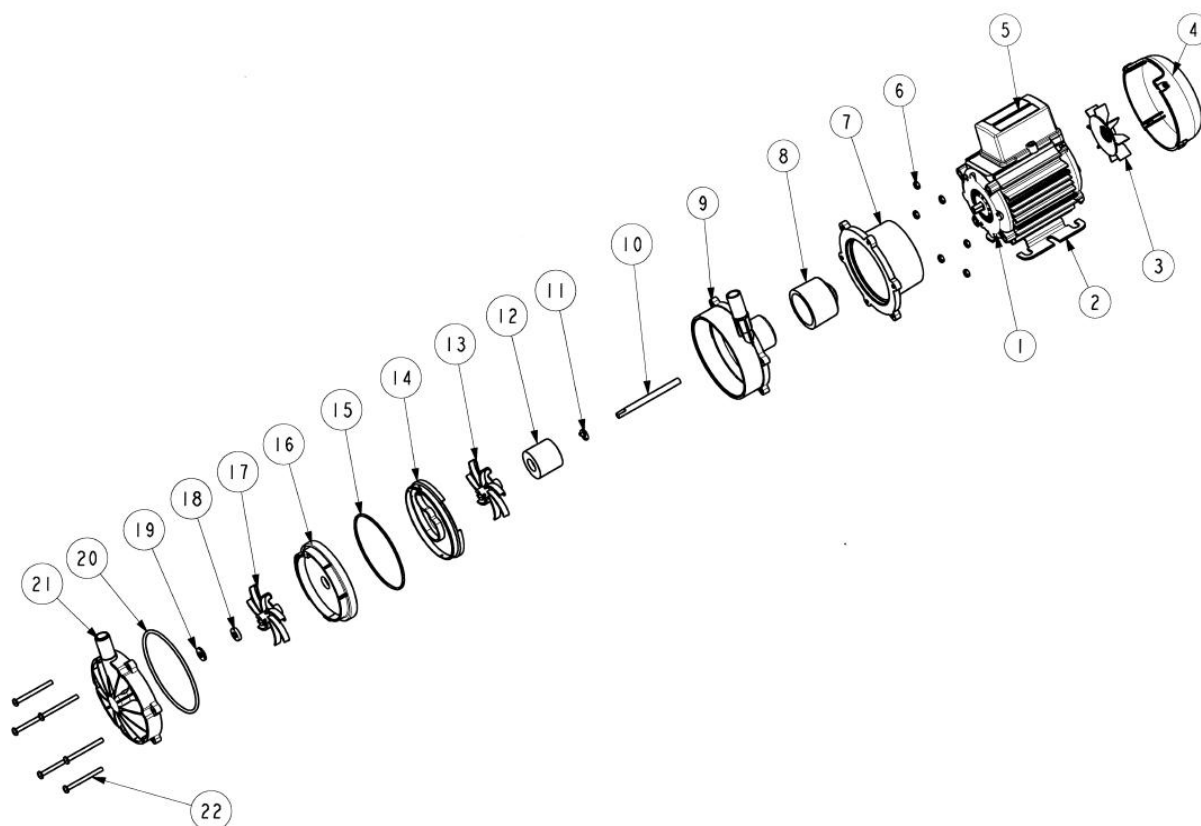


NOTE: These magnetically coupled pumps are designed for use with clean fluids. Solids will cause jamming. Abrasives will reduce pump life & invalidate the warranty.

GP pumps are not self priming & are not designed to run dry

The company reserves the right to change specifications

Part List



Item Number	Description	Quantity	Part Number	
1	Motor	1	116842 (230 V)	116875 (110V)
2	Mounting Foot	1	036330	
3	Fan	1	001577	
4	Fan Cowl	1	036085	
5	Terminal Box	1	036078	
6	Nut	6	032105	
7	Adaptor	1	026217	
8	Drive Magnet	1	006287	
9	Pump Body	1	016374 (threaded ports)	016371 (plain ports)
10	Spindle	1	026206	
11	Thrust Washer	1	026208	
12	Driven Magnet	1	026232	
13	Impeller	1	026238	
14	Inter-Stage	1	026224	
15	O ring	1	022054	
16	Stage Element	1	026223	
17	Impeller	1	026238	
18	Thrust Washer	1	026249	
19	Ceramic Washer	1	026252	
20	O Ring	1	022057	
21	Front Cover	1	026235 (threaded)	026225 (plain)
22	Screw	6	022060	

Totton Pumps Ltd.

Tel: +44 (0)23 8066 6685

Fax: +44 (0)23 8066 6880

Email: info@totton-pumps.com - Web: totton-pumps.co.uk