

Principal Applications

Specifically developed for applications requiring cost effective, continuous low flow for the transfer and recirculation of water and glycol solutions.

Wetted Materials

- Brass spindle
- Nitrile 'O' ring
- StFe ceramic magnet
- PP pump housing - PPS optional
- PPS spindle housing
- Alumina ceramic thrust washer

Features

- Magnetic couplings provide an energy efficient thermal shield, minimising heat transfer to the pumped fluids
- Variable pump body orientation
- Adaptable mounting foot positions
- Compatible with standard fittings
- IPX5 motor enclosure
- Deep groove ball bearings

GP25/5

- 230V 1Ph 50Hz
- 230V 1Ph 50Hz
- 230V 1Ph 60Hz
- 230V 1Ph 60Hz

Port Details

- Plain 15 mm
- 3/8"bsp Male
- Plain 15 mm
- 3/8"bsp Male

GP25/5

- 110V 1Ph 50Hz
- 110V 1Ph 50Hz
- 110V 1Ph 60Hz
- 110V 1Ph 60Hz

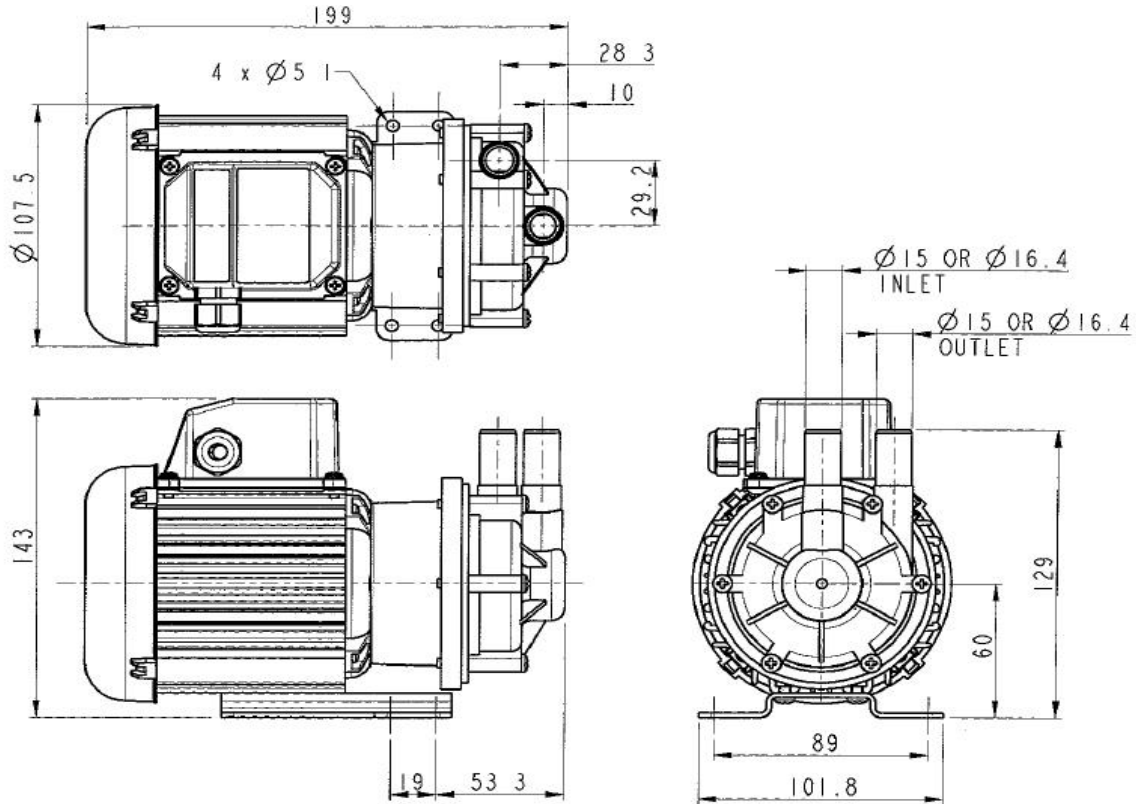
Port Details

- Plain 15 mm
- 3/8"bsp Male
- Plain 15 mm
- 3/8"bsp Male

Installation

Drawings not to scale
Dimensions in millimetres

GP25/5



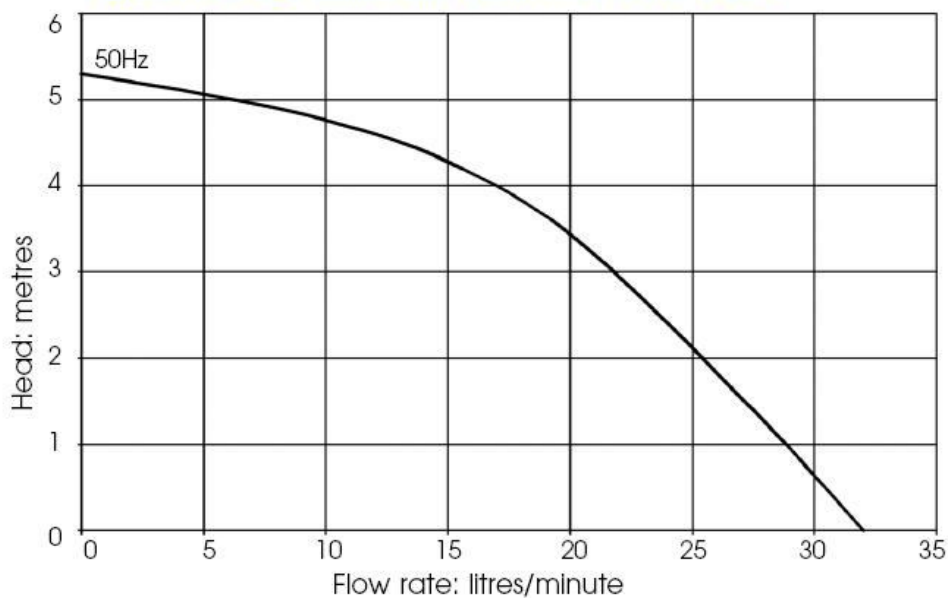
Specification

| Model | Overall height (mm) | Overall length (mm) | Overall width (mm) | Weight (kg) | Max body pressure (bar) | Run-out flow rate (l/min) | Closed valve head (m) | Temp range (degC) | *Max specific gravity | Motor output (watts) |
|--------|---------------------|---------------------|--------------------|-------------|-------------------------|---------------------------|-----------------------|-------------------|-----------------------|----------------------|
| GP25/5 | 143 | 199 | 102 | 2.4 | 1.4 | 32 | 5.3 | -20 to +85 | 1.2 | 30 |

*Assuming maximum viscosity of 30cp. Refer to Totton Pumps for higher viscosities and specific gravities

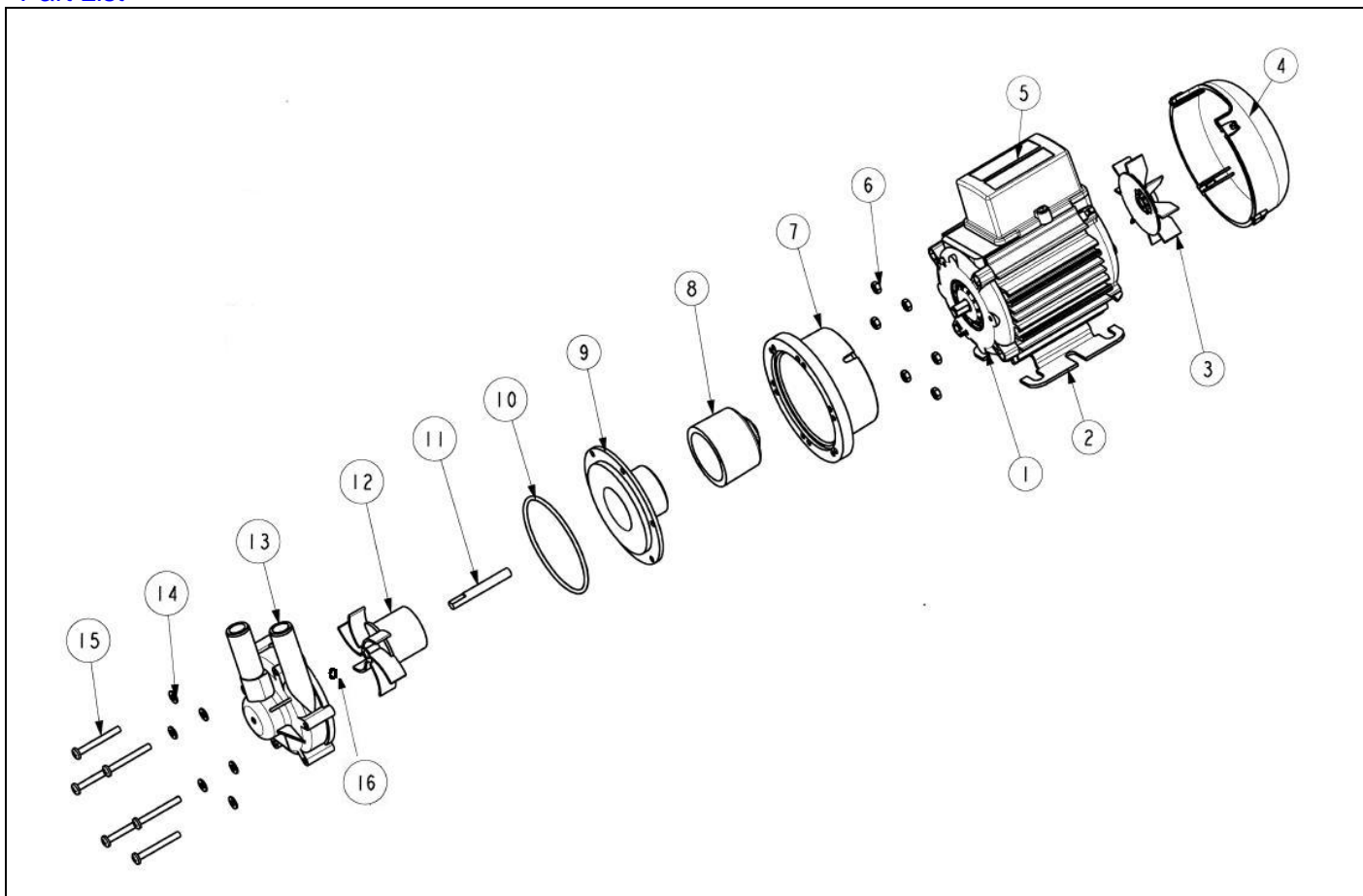
Performance

Performance Tested with clean cold water @ 20° c



NOTE: These magnetically coupled pumps are designed for use with clean fluids. Solids will cause jamming. Abrasives will reduce pump life & invalidate the warranty. GP pumps are not self priming & are not designed to run dry
The company reserves the right to change specifications

Part List



| Item Number | Description | Quantity | Part Number | |
|-------------|-----------------|----------|----------------------|-------------------------|
| 1 | Motor | 1 | 116849 (230 V) | 116874 (110V) |
| 2 | Mounting Foot | 1 | 036329 | |
| 3 | Fan | 1 | 001577 | |
| 4 | Fan Cowl | 1 | 036085 | |
| 5 | Terminal Box | 1 | 036078 | |
| 6/14 | Nut | 6 | 032105 | |
| 7 | Adaptor | 1 | 036324 | |
| 8 | Drive Magnet | 1 | 006287 | |
| 9 | Spindle Housing | 1 | 016311 | |
| 10 | O ring | 1 | 003398 | |
| 11 | Spindle | 1 | 016301 | |
| 12 | Impeller | 1 | 016269 (50 Hz) | 026216 (60 Hz) |
| 13 | Pump Body | 1 | 016303 (plain ports) | 036354 (threaded ports) |
| 15 | Screw | 6 | 022060 | |
| 16 | D Washer | 1 | 016225 | |

Totton Pumps Ltd.

Tel: +44 (0)23 8066 6685

Fax: +44 (0)23 8066 6880

Email: info@totton-pumps.comWeb: www.totton-pumps.co.uk