

Principal Applications

Specifically developed for applications requiring cost effective, continuous low flow for the transfer and recirculation of water and glycol solutions.

Wetted Materials

- Brass spindle – ceramic optional
- Nitrile 'O' ring standard, other materials available
- StFe ceramic magnet
- PP pump housing
- PPS spindle housing
- Alumina ceramic thrust washer

Features

- Magnetic couplings provide an energy efficient thermal shield, minimising heat transfer to the pumped fluids
- Variable pump body orientation
- Adaptable mounting foot positions
- Compatible with standard fittings
- IPX5 motor enclosure
- Deep groove ball bearings

GP28/11

- 230V 1Ph 50Hz
- 230V 1Ph 60Hz

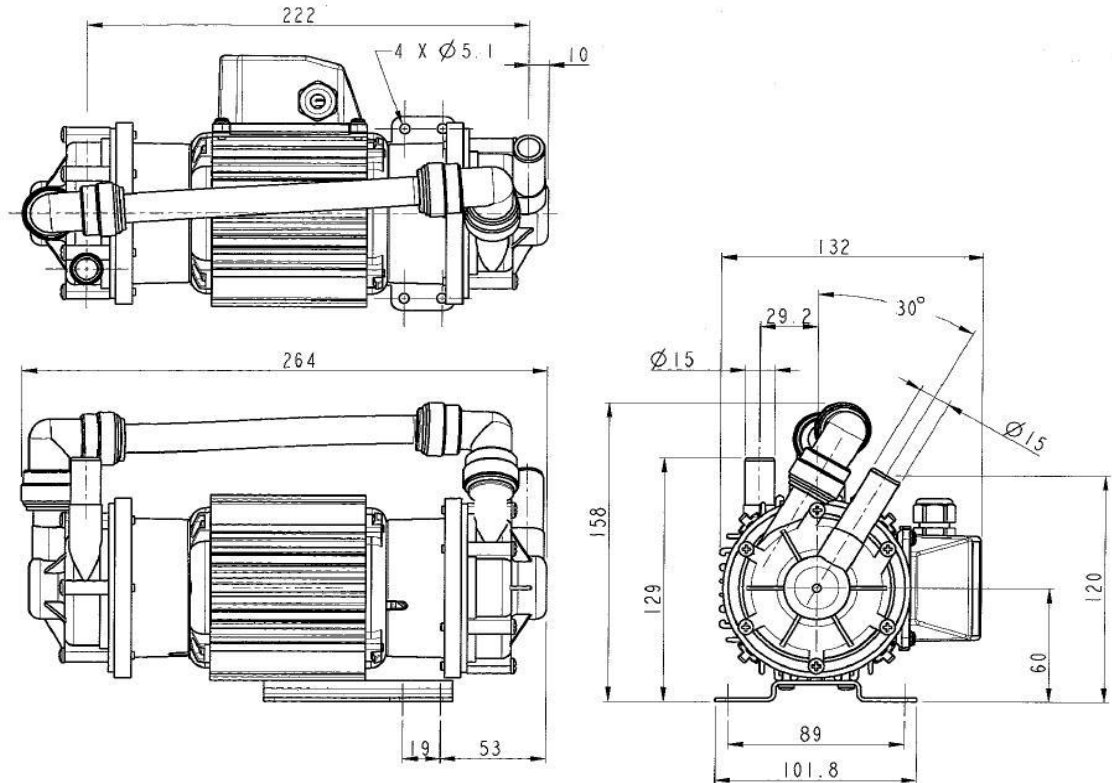
Port Details

- Plain 15mm
- Plain 15mm

Installation

Drawings not to scale
 Dimensions in millimetres

GP28/11

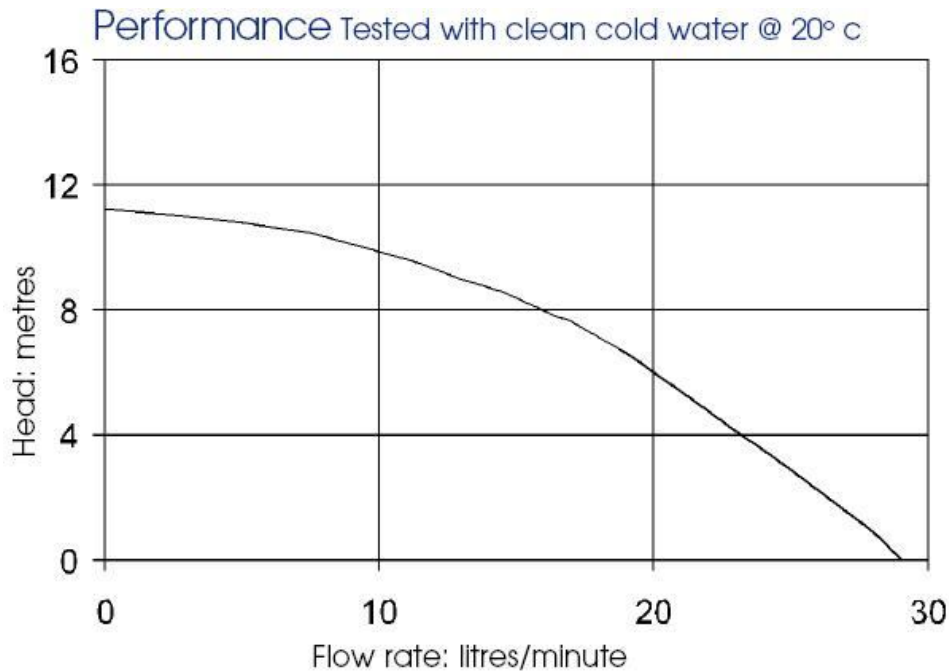


Specification

Model	Overall height (mm)	Overall length (mm)	Overall width (mm)	Weight (kg)	Max body pressure (bar)	Run-out flow rate (l/min)	Closed valve head (m)	Temp range (degC)	*Max specific gravity	Motor output (watts)
GP28/11	158	264	132	3.2	1.4	29	11	-20 to +85	1.0	60

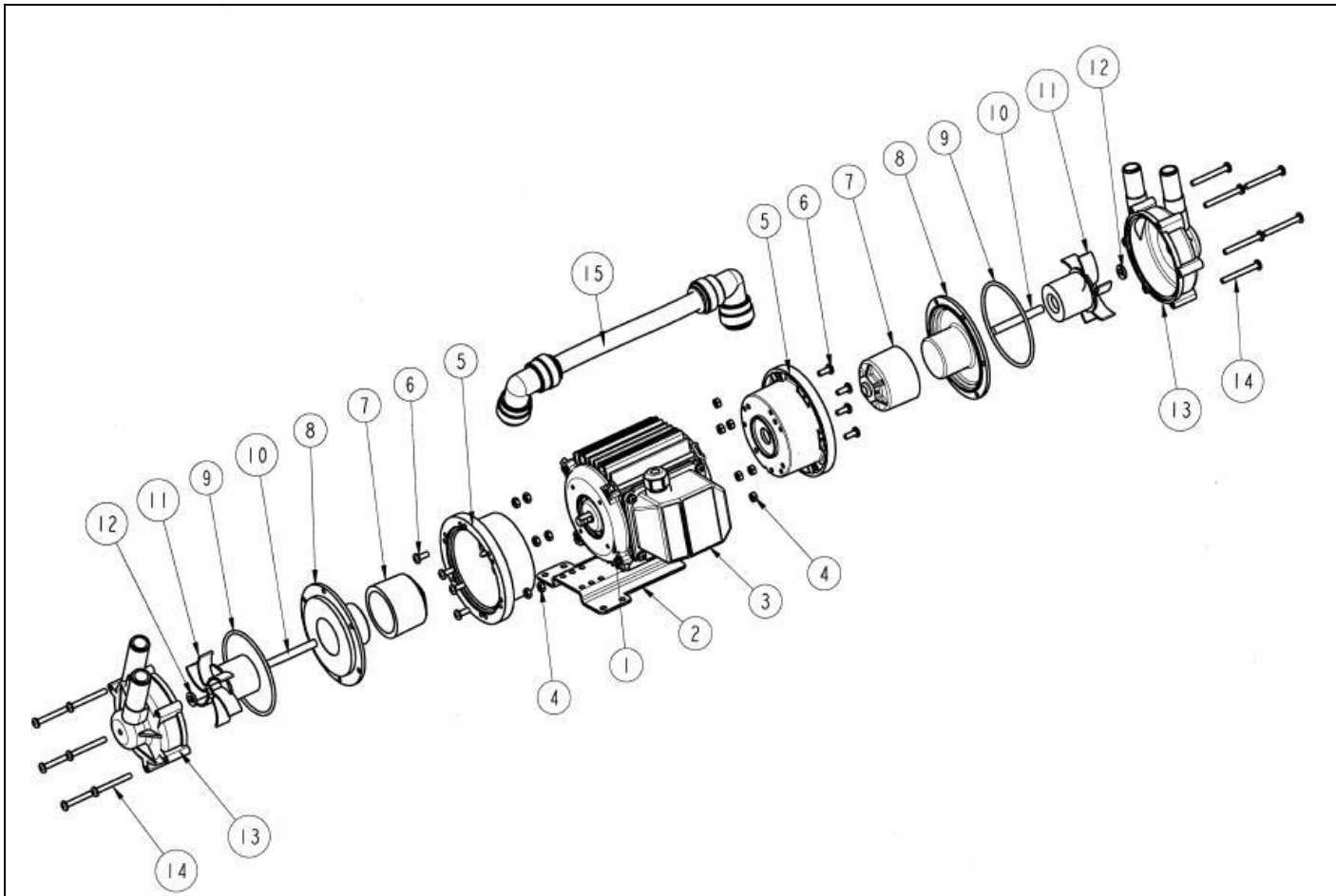
*Assuming maximum viscosity of 30cp. Refer to Totton Pumps for higher viscosities and specific gravities

Performance



NOTE: These magnetically coupled pumps are designed for use with clean fluids. Solids will cause jamming. Abrasives will reduce pump life & invalidate the warranty. GP pumps are not self priming & are not designed to run dry
 The company reserves the right to change specifications

Part List



Item Number	Description	Quantity	Part Number	
1	Motor	1	116852 (230V)	
2	Mounting Plate	1	036329	
3	Terminal Box	1	036078	
4	Nut	20	032105	
5	Adaptor	2	036324	
6	Screw	8	022163	
7	Drive Magnet	2	006287	
8	Spindle Housing	2	016311	
9	O Ring	2	003398	
10	Spindle	2	016311	
11	Impeller	2	016267	
12	D Washer	2	016225	
13	Pump Body	1ea	016302 (LH plain port)	016303 (RH plain port)
			036353 (LH threaded port)	036354 (RH threaded port)
14	Screw	12	022115	
15	Cross Bar Assembly	1	006769	

Totton Pumps Ltd.

Tel: +44 (0)23 8066 6685
 Fax: +44 (0)23 8066 6880
 Email: info@totton-pumps.com
 Web: totton-pumps.co.uk