

Principal Applications

Specifically developed for applications requiring cost effective, continuous low flow for the transfer and recirculation of water and glycol solutions.

Wetted Materials

- Brass spindle
- Nitrile 'O' ring standard, other materials available
- StFe ceramic magnet
- PP pump housing
- PPS spindle housing
- Alumina ceramic thrust washer

Features

- Magnetic couplings provide an energy efficient thermal shield, minimising heat transfer to the pumped fluids
- Variable pump body orientation
- Adaptable mounting foot positions
- Compatible with standard fittings
- IPX5 motor enclosure
- Deep groove ball bearings

GP40/6

- 230V 1Ph 50Hz
- 230V 1Ph 50Hz
- 230V 1Ph 60Hz
- 230V 1Ph 60Hz

Port Details

- Plain 15 mm
- 3/8"bsp Male
- Plain 15 mm
- 3/8"bsp Male

GP40/4

- 110V 1Ph 50Hz
- 110V 1Ph 50Hz
- 110V 1Ph 60Hz
- 110V 1Ph 60Hz

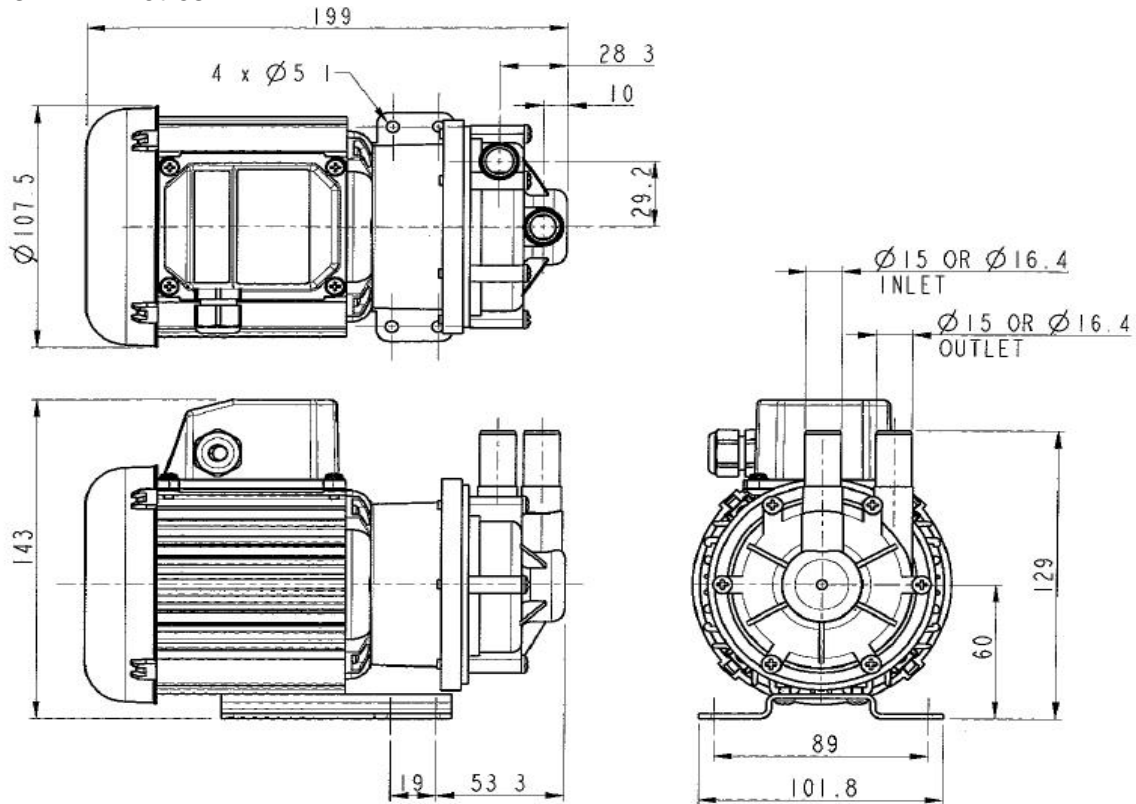
Port Details

- Plain 15 mm
- 3/8"bsp Male
- Plain 15 mm
- 3/8"bsp Male

Installation

Drawings not to scale
Dimensions in millimetres

GP40/6

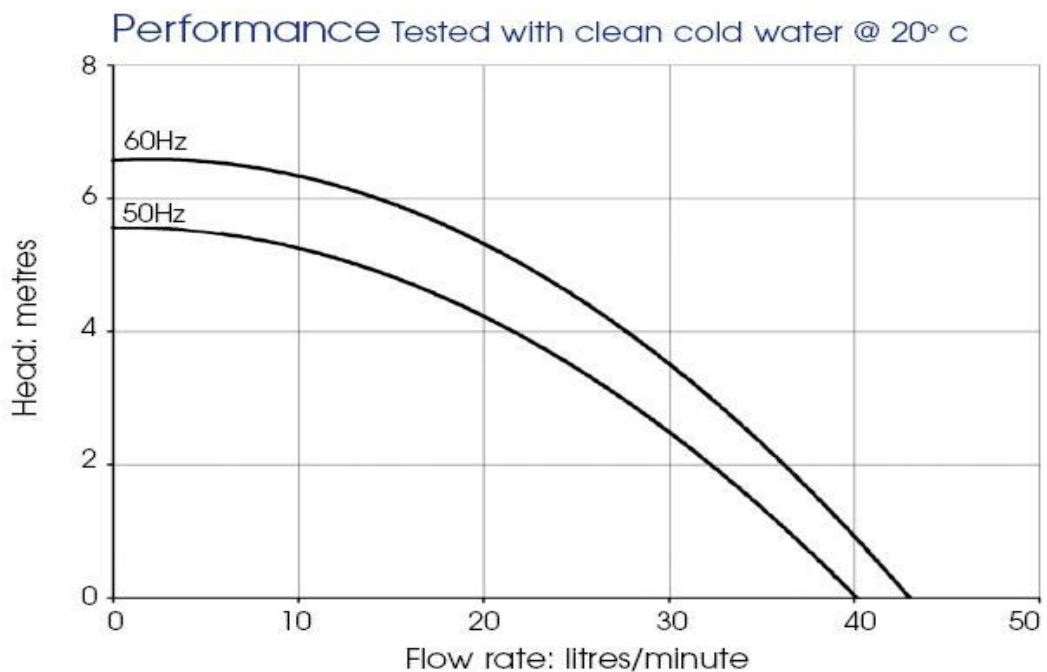


Specification

Model	Overall height (mm)	Overall length (mm)	Overall width (mm)	Weight (kg)	Max body pressure (bar)	Run-out flow rate (l/min)	Closed valve head (m)	Temp range (degC)	*Max specific gravity	Motor output (watts)
GP40/6	143	199	102	2.7	1.4	50 Hz 40	50 Hz 5.6	-20 to +85	1.2	60
						60 Hz 43	60 Hz 6.5			

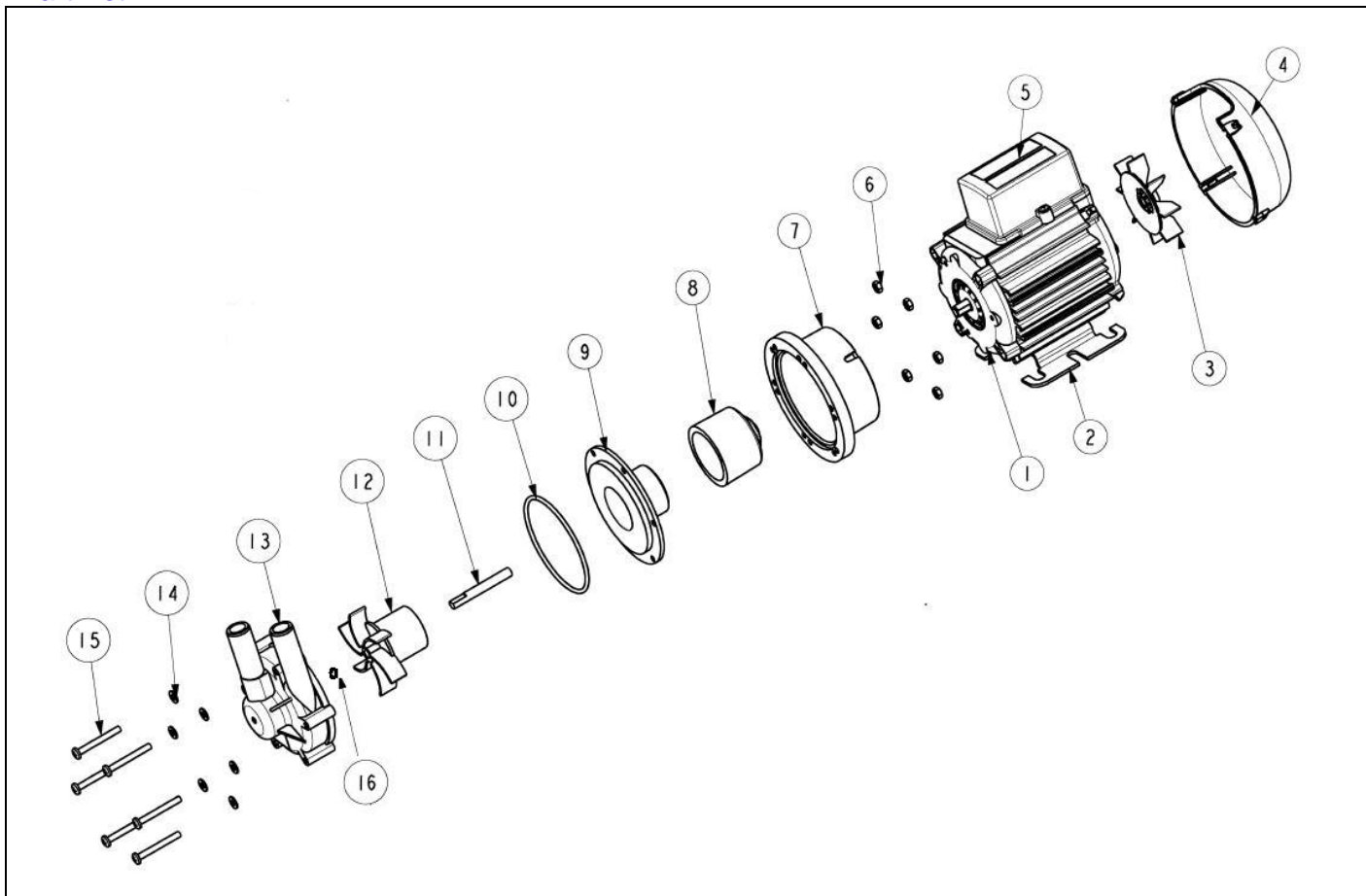
*Assuming maximum viscosity of 30cp. Refer to Totton Pumps for higher viscosities and specific gravities

Performance



NOTE: These magnetically coupled pumps are designed for use with clean fluids. Solids will cause jamming. Abrasives will reduce pump life & invalidate the warranty. GP pumps are not self priming & are not designed to run dry
The company reserves the right to change specifications

Part List



Item Number	Description	Quantity	Part Number	
1	Motor	1	116842 (230 V)	116875 (110V)
2	Mounting Foot	1		036329
3	Fan	1		001577
4	Fan Cowl	1		036085
5	Terminal Box	1		036078
6	Nut	6		032105
7	Adaptor	1		036324
8	Drive Magnet	1		006287
9	Spindle Housing	1		016311
10	O ring	1		003398
11	Spindle	1		016301
12	Impeller	1	016267 (50 Hz)	016282 (60 Hz)
13	Pump Body	1	016303 (plain ports)	036354 (threaded ports)
14	Nut	6		032105
15	Screw	6		022115
16	D Washer	1		016225

Totton Pumps Ltd.

Tel: +44 (0)23 8066 6685

Fax: +44 (0)23 8066 6880

Email: info@totton-pumps.comWeb: www.totton-pumps.co.uk