

Principal Applications

Specifically developed for applications requiring cost effective, continuous low flow for the transfer and recirculation of water and glycol solutions.

Wetted Materials

- Brass spindle
- Nitrile 'O' ring standard, other materials available
- StFe ceramic magnet
- PP pump housing – PPS optional
- PPS spindle housing
- Alumina ceramic thrust washer

Features

- Magnetic couplings provide an energy efficient thermal shield, minimising heat transfer to the pumped fluids
- Variable pump body orientation
- Adaptable mounting foot positions
- Compatible with standard fittings
- IPX4 motor enclosure
- Deep groove ball bearings

GP50/7

230V 1Ph 50Hz
230V 1Ph 50Hz
230V 1Ph 60Hz
230V 1Ph 60Hz

Port Details

21 mm hose barb
1/2"bsp Male
21 mm hose barb
1/2"bsp Male

GP50/7

110V 1Ph 50Hz
110V 1Ph 50Hz
110V 1Ph 60Hz
110V 1Ph 60Hz

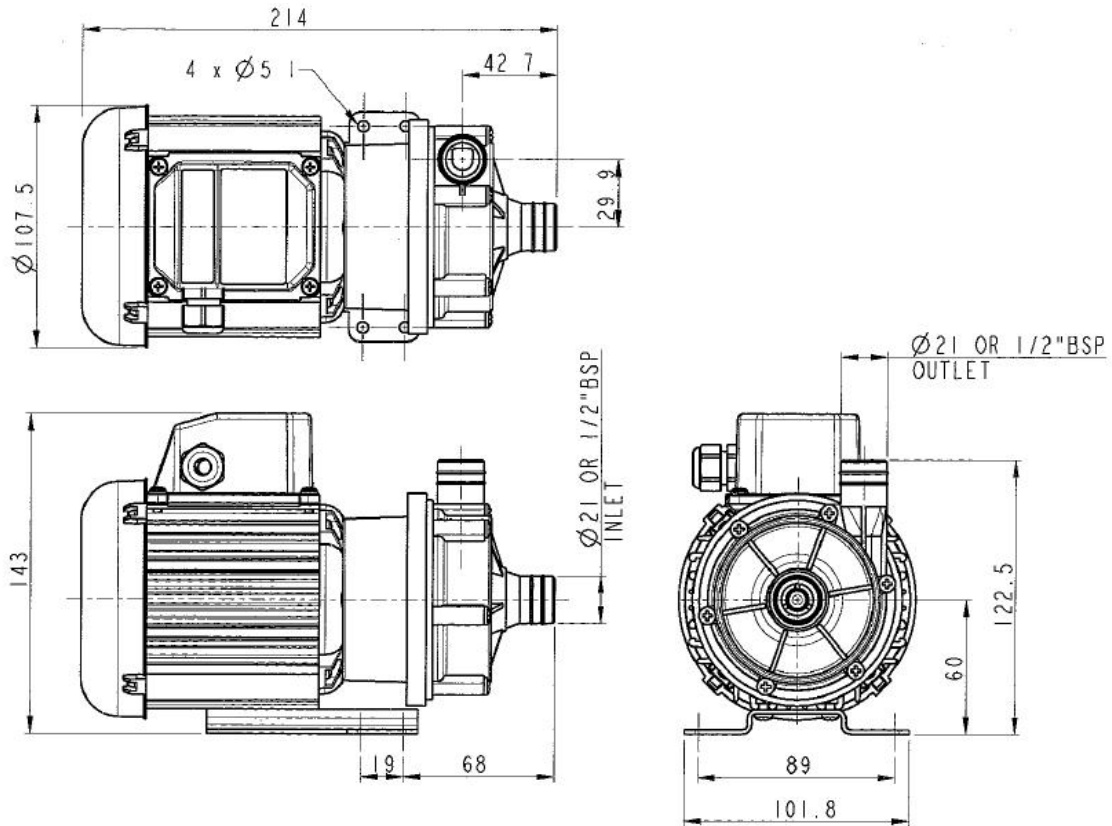
Port Details

21 mm hose barb
1/2"bsp Male
21 mm hose barb
1/2"bsp Male

Installation

Drawings not to scale
Dimensions in millimetres

GP50/7



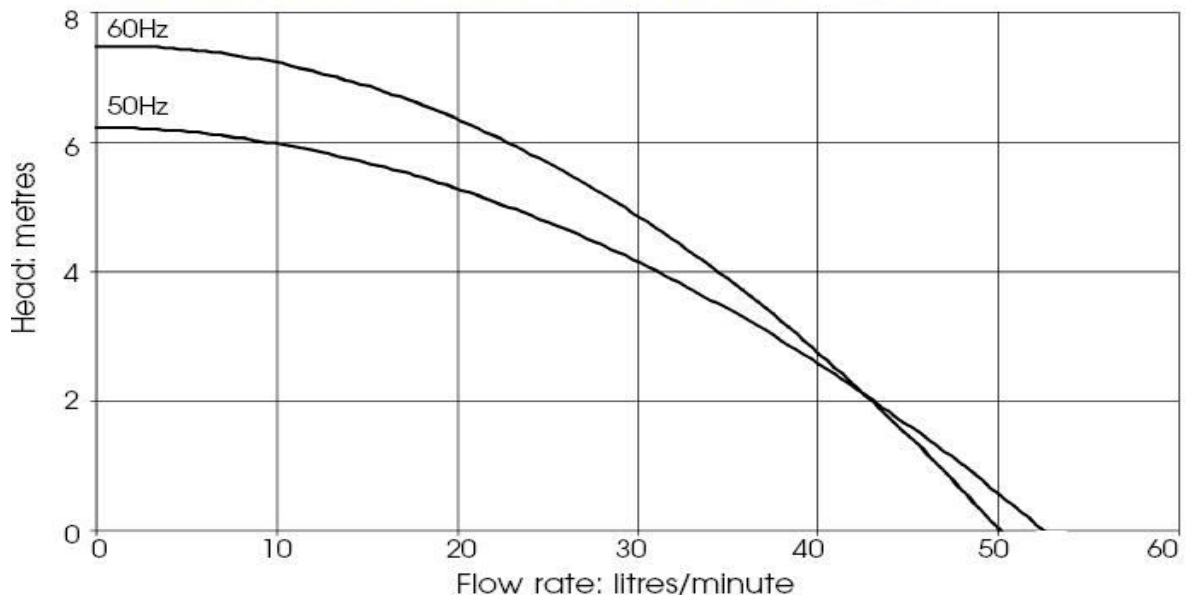
Specification

Model	Overall height (mm)	Overall length (mm)	Overall width (mm)	Weight (kg)	Max body pressure (bar)	Run-out flow rate (l/min)	Closed valve head (m)	Temp range (degC)	*Max specific gravity	Motor output (watts)
GP50/7	143	214	102	2.9	1.4	50 Hz 53	50 Hz 6.2	-20 to +85	1.2	60
						60 Hz 50	60 Hz 7.5			

*Assuming maximum viscosity of 30cp. Refer to Totton Pumps for higher viscosities and specific gravities

Performance

Performance Tested with clean cold water @ 20° c

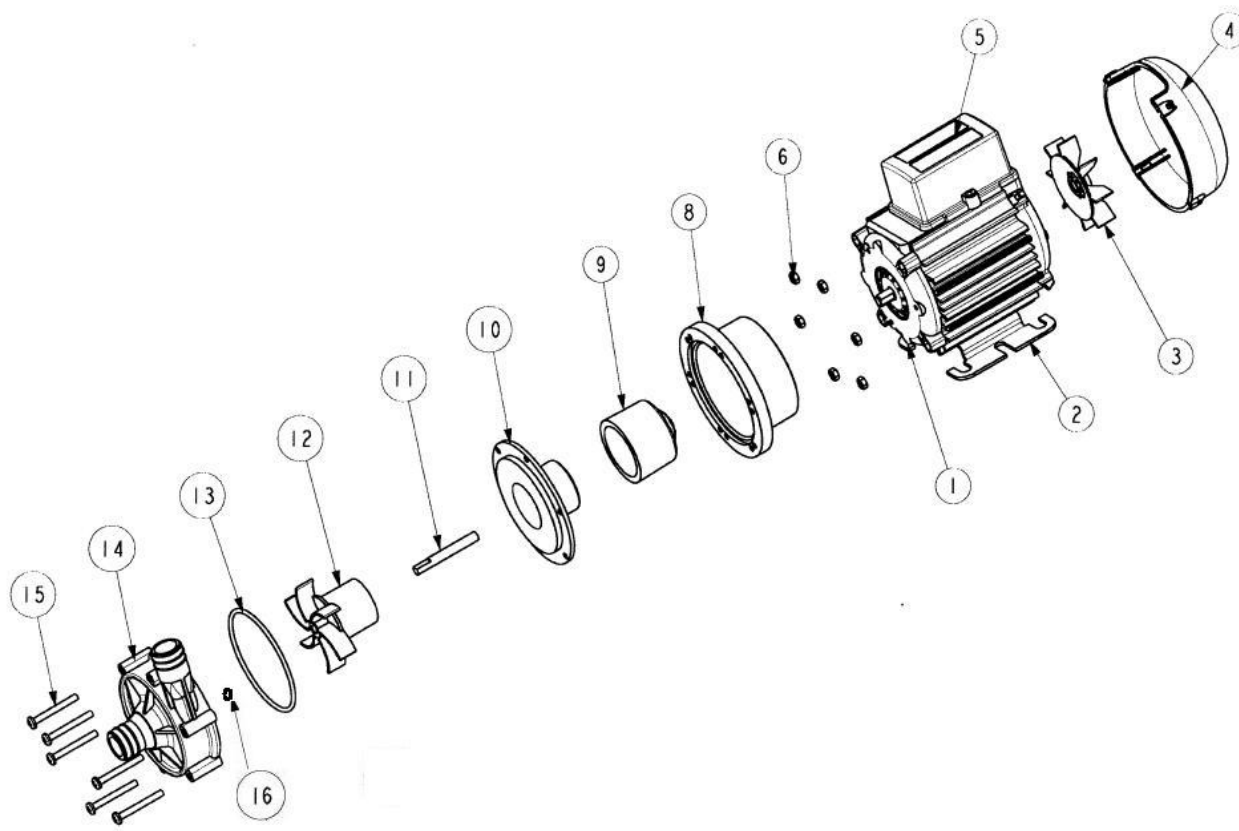


NOTE: These magnetically coupled pumps are designed for use with clean fluids. Solids will cause jamming. Abrasives will reduce pump life & invalidate the warranty.

GP pumps are not self priming & are not designed to run dry

The company reserves the right to change specifications

Part List



Item Number	Description	Quantity	Part Number	
1	Motor	1	116842 (230 V)	116875 (110V)
2	Mounting Foot	1	036329	
3	Fan	1	001577	
4	Fan Cowl	1	036085	
5	Terminal Box	1	036078	
6	Nut	6	032105	
8	Adaptor	1	036324	
9	Drive Magnet	1	006287	
10	Spindle Housing	1	016311	
11	Spindle	1	016301	
12	Impeller	1	016267 (50 Hz)	016282 (60 Hz)
13	O ring	1	003398	
14	Pump Body	1	016358 (plain ports PP)	016360 (threaded ports PP)
15	Screw	6	022115	
16	D Washer	1	016225	

Totton Pumps Ltd.
 Tel: +44 (0)23 8066 6685
 Fax: +44 (0)23 8066 6880
 Email: info@totton-pumps.com
 Web: totton-pumps.co.uk