

Principal Applications

For heavy duty applications requiring safe, leak-free, continuous flow of aggressive chemicals, acids, solvents, alkalis, sterile and chilled fluids.

Wetted Materials

Standard EPDM O Ring, optional Nitrile or Viton
PP encapsulated magnet
PP pump housing, PPS optional
PPS spindle housing
Alumina ceramic spindle

Features

Manufactured in chemical resistant thermo-plastics – entirely non-metallic
Magnetic couplings provide an energy efficient thermal shield,
minimising heat transfer to the pumped fluids
IP55 standard motor housing

NEMP100/6

415V 3Ph 50Hz
415V 3Ph 50Hz

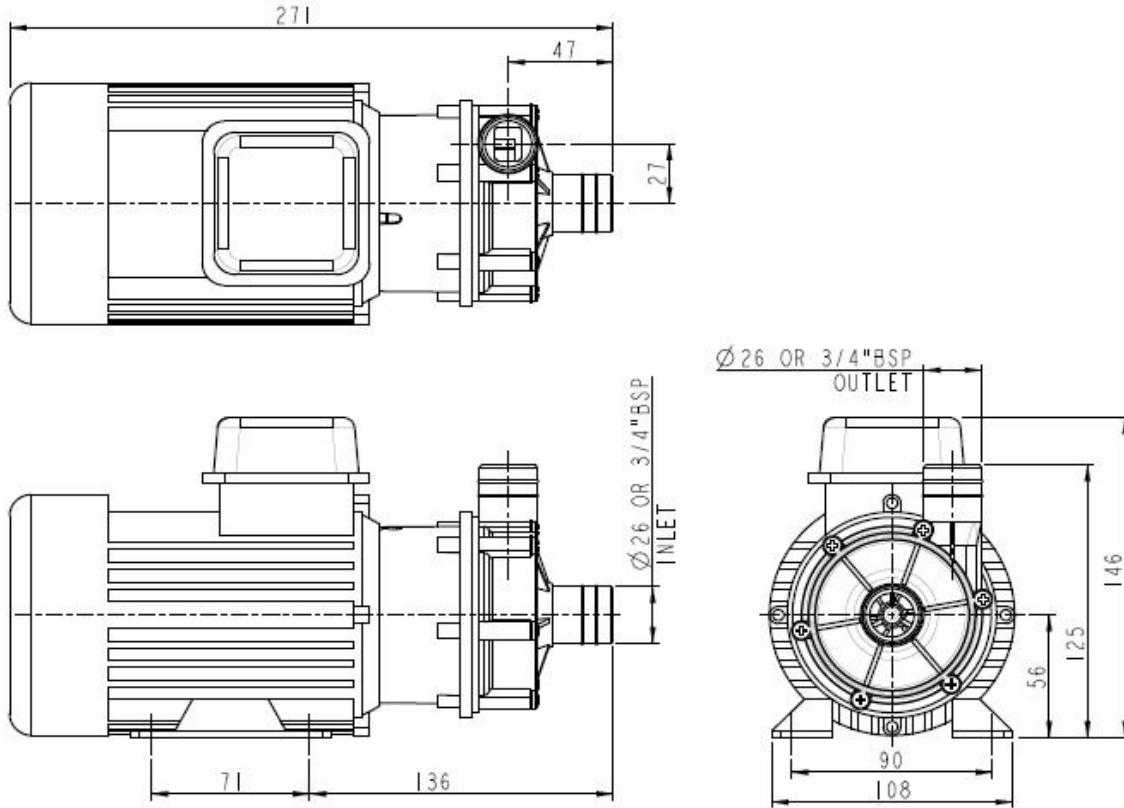
Port Details

Plain 26 mm
3/4" bsp Male

Installation

Drawings not to scale
 Dimensions in millimetres

NEMP100/6

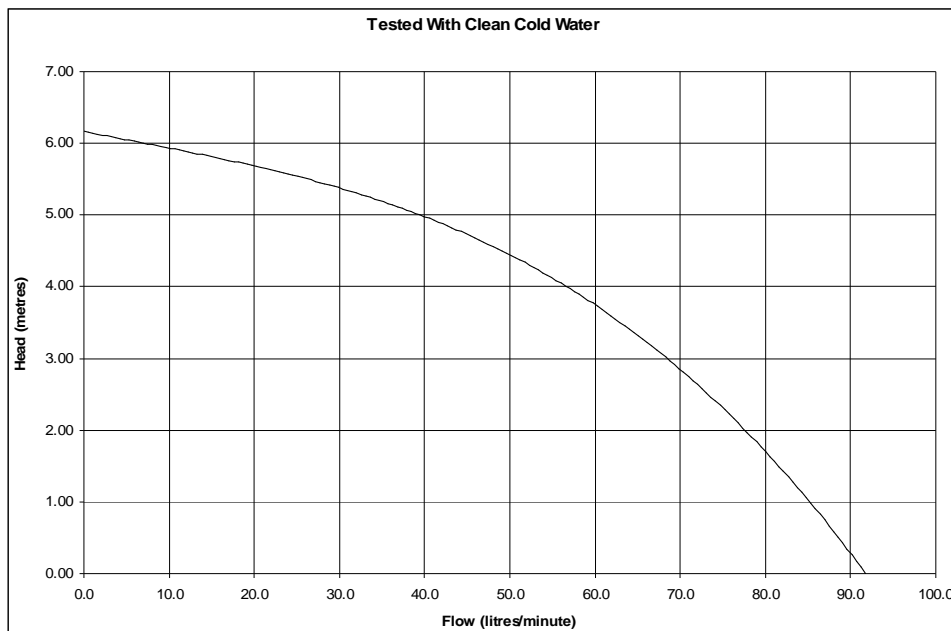


Specification

Model	Overall height (mm)	Overall length (mm)	Overall width (mm)	Weight (kg)	Max body pressure (bar)	Run-out flow rate (l/min)	Closed valve head (m)	Temp range (degC)	*Max specific gravity	Motor output (watts)
NEMP100/6	146	271	108	3.6	1.4	100	5.7	-20 to +85	1.05	90

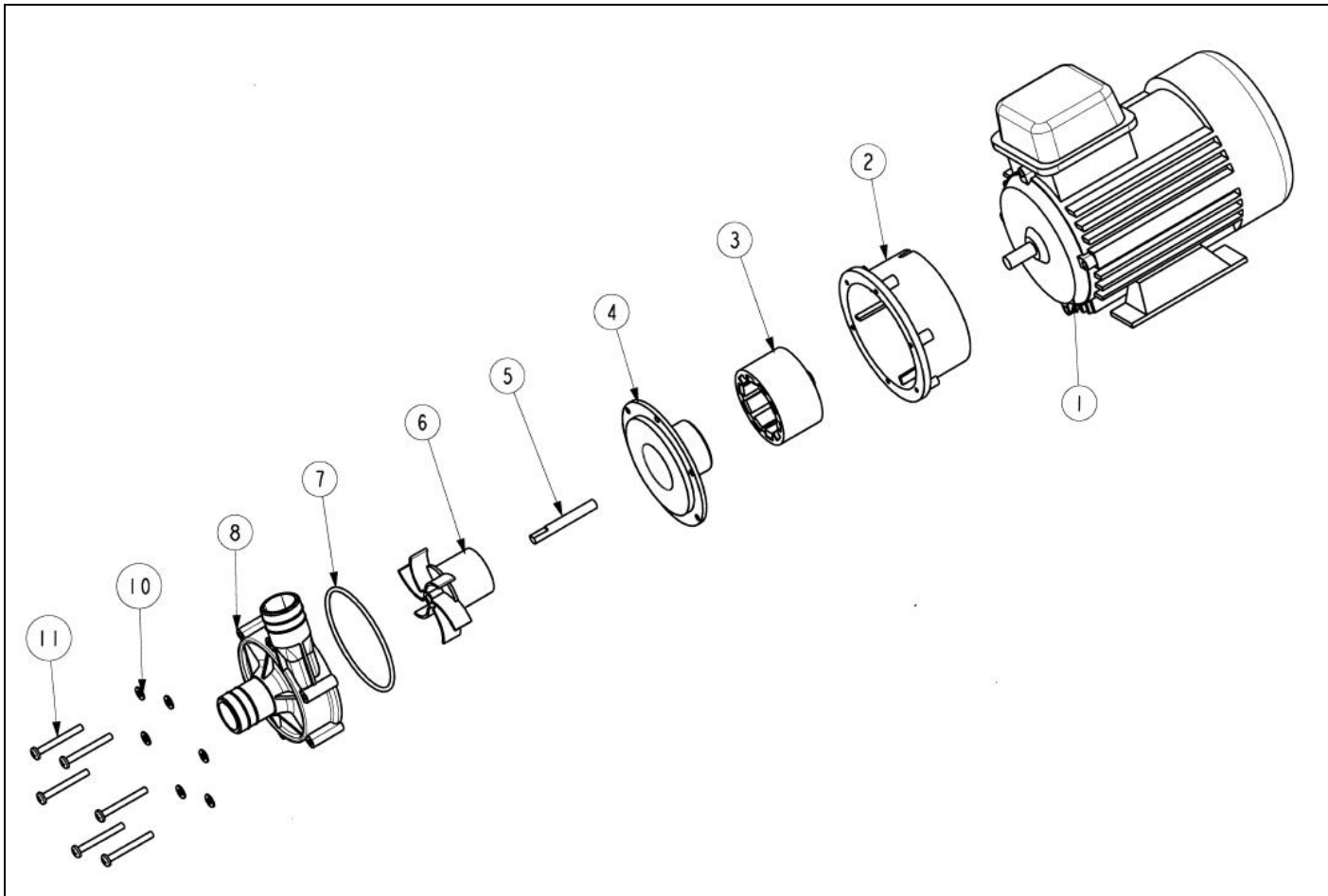
*Assuming maximum viscosity of 30cp. Refer to Totton Pumps for higher viscosities and specific gravities

Performance



NOTE: These magnetically coupled pumps are designed for use with clean fluids. Solids will cause jamming. Abrasives will reduce pump life & invalidate the warranty.
 NEMP pumps are not self priming & are not designed to run dry
 The company reserves the right to change specifications

Part List



Item Number	Description	Quantity	Part Number			
1	Motor	1	008822			
2	Adaptor	1	002053			
3	Drive Magnet	1	016541			
4	Spindle Housing	1	016311			
5	Shaft	1	006244			
6	Impeller	1	016355			
7	O ring	1	013290(EPDM)	021056(Viton)	003398(Nitrile)	
10	Pump Body	1	016359 (plain port PP)	016367 (plain port PPS)	016361 (threaded port PP)	016369 (plain port PPS)
11	Washer	6	012020			
12	Screw	6	022115			

Totton Pumps Ltd.

Tel: +44 (0)23 8066 6685

Fax: +44 (0)23 8066 6880

Email: info@totton-pumps.com

Web: www.totton-pumps.co.uk