

Principal Applications

For applications requiring safe, leak-free, high head, continuous flow of aggressive chemicals, acids, alkalis, solvents, pure and chilled fluids.

Wetted Materials

Standard EPDM O Ring, optional Nitrile or Viton
PPS encapsulated magnet
PPS spindle housing
Alumina ceramic spindle
Graflon loaded PTFE thrust washers

Features

Manufactured in chemical resistant thermo-plastics – entirely non-metallic
Multistage versions developed for high head with low flow
Magnetic couplings provide an energy efficient thermal shield,
minimising heat transfer to the pumped fluid
IPX5 standard motor housing
Deep groove ball bearings
Variable pump body orientation and mounting foot positions

NEMP20/12
230V 1Ph 50Hz
230V 1Ph 50Hz

Port Details
Plain 15 mm
3/8" bsp Male
60 Hz versions available to order

NEMP20/12
110V 1Ph 50Hz
110V 1Ph 50Hz

Port Details
Plain 15 mm
3/8" bsp Male



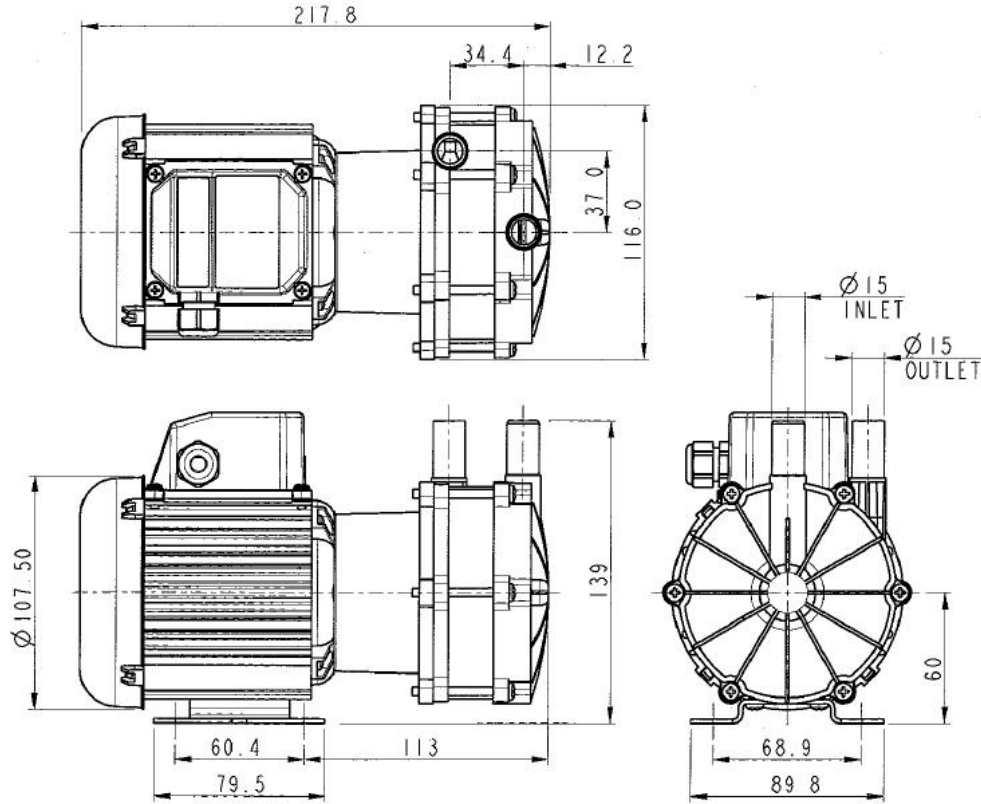
Engineered for life



Installation

Drawings not to scale
 Dimensions in millimetres

NEMP20/12

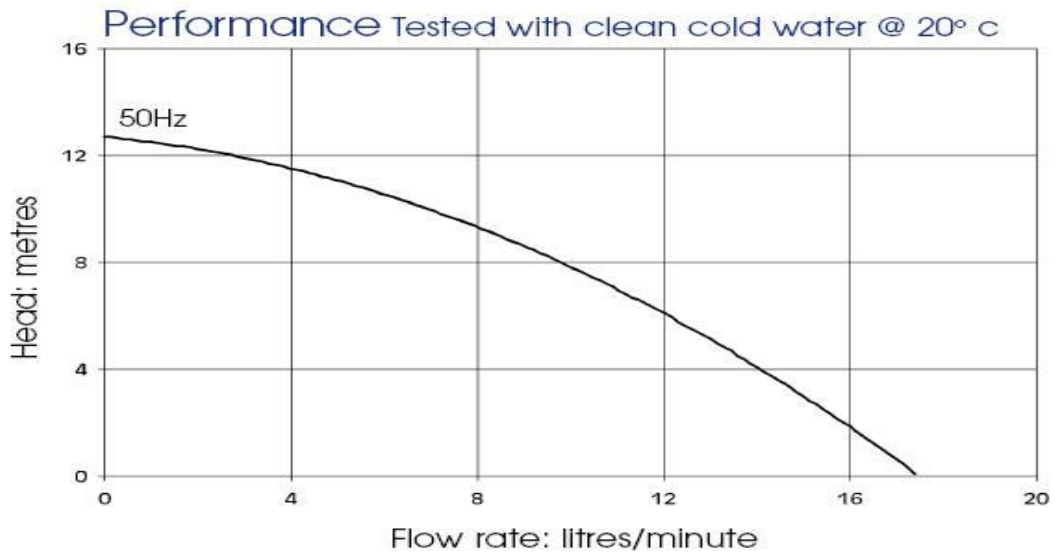


Specification

| Model | Overall height (mm) | Overall length (mm) | Overall width (mm) | Weight (kg) | Max body pressure (bar) | Run-out flow rate (l/min) | Closed valve head (m) | Temp range (degC) | *Max specific gravity | Motor output (watts) |
|-----------|---------------------|---------------------|--------------------|-------------|-------------------------|---------------------------|-----------------------|-------------------|-----------------------|----------------------|
| NEMP20/12 | 143 | 218 | 116 | 3.0 | 2.5 | 17.4 | 12.7 | -20 to +85 | 1.2 | 60 |

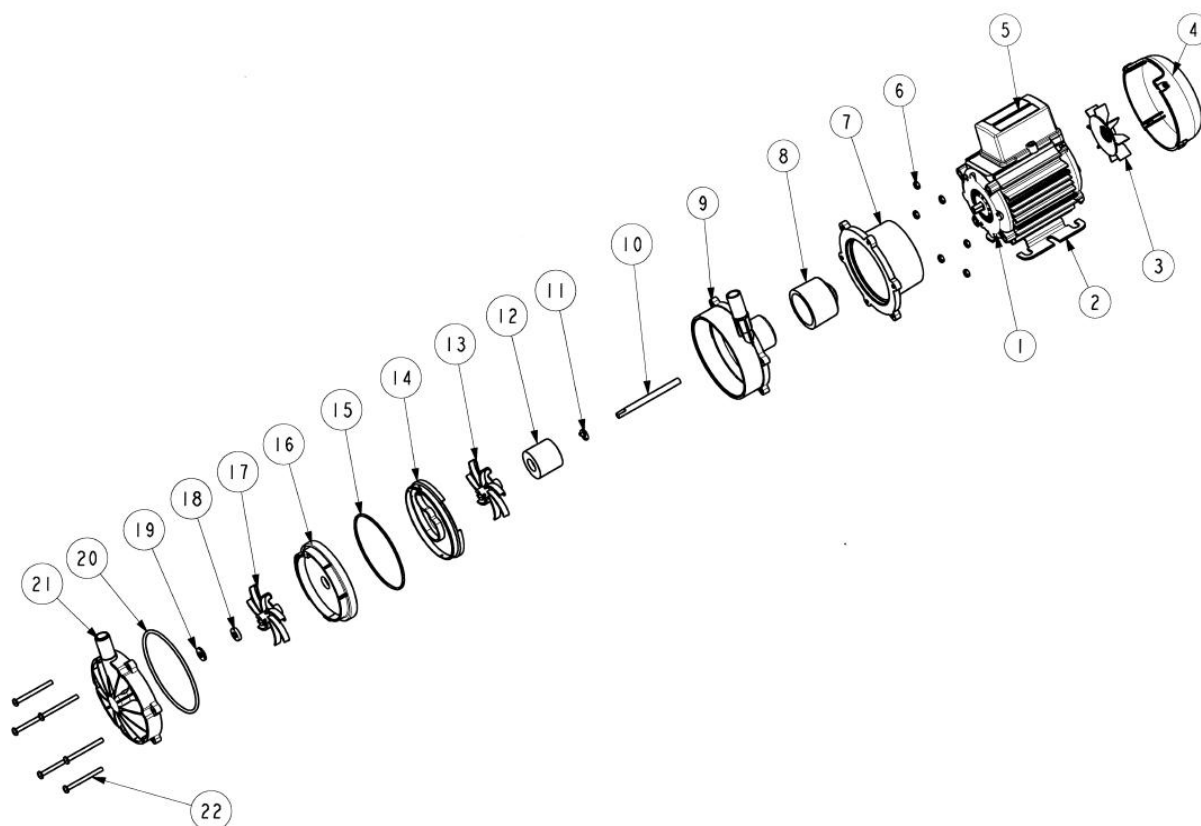
*Assuming maximum viscosity of 30cp. Refer to Totton Pumps for higher viscosities and specific gravities

Performance



NOTE: These magnetically coupled pumps are designed for use with clean fluids. Solids will cause jamming. Abrasives will reduce pump life & invalidate the warranty. GP pumps are not self priming & are not designed to run dry. The company reserves the right to change specifications

Part List



| Item Number | Description | Quantity | Part Number | |
|-------------|----------------|----------|-------------------|----------------|
| 1 | Motor | 1 | 116842 (230V) | 116875 (110V) |
| 2 | Mounting Foot | 1 | 036330 | |
| 3 | Fan | 1 | 001577 | |
| 4 | Fan Cowl | 1 | 036085 | |
| 5 | Terminal Box | 1 | 036078 | |
| 6 | Nut | 6 | 032105 | |
| 7 | Adaptor | 1 | 026217 | |
| 8 | Drive Magnet | 1 | 006287 | |
| 9 | Pump Body | 1 | 016374 (threaded) | 016371 (plain) |
| 10 | Spindle | 1 | 026204 | |
| 11 | Thrust Washer | 1 | 026208 | |
| 12 | Driven Magnet | 1 | 026203 | |
| 13 | Impeller | 1 | 026238 | |
| 14 | Inter-Stage | 1 | 016396 | |
| 15 | O ring | 1 | 022059 (EPDM) | 022058 (Viton) |
| 16 | Stage Element | 1 | 016395 | |
| 17 | Impeller | 1 | 026238 (50Hz) | 026288 (60Hz) |
| 18 | Thrust Washer | 1 | 026249 | |
| 19 | Ceramic Washer | 1 | 026252 | |
| 20 | O Ring | 1 | 022056 (EPDM) | 022055 (Viton) |
| 21 | Front Cover | 1 | 016398 (threaded) | 016397 (plain) |
| 22 | Screw | 6 | 022060 | |

Totton Pumps Ltd.

Tel: +44 (0)23 8066 6685

Fax: +44 (0)23 8066 6880

Email: info@totton-pumps.com - Web: www.totton-pumps.co.uk