



Principal Applications

For applications requiring continuous high pressure/low flow safe, leak-free, continuous flow of aggressive chemicals. Widely used for fume scrubbing, laser cooling and chemical spraying applications.

Wetted Materials

Standard EPDM O Ring, optional Nitrile or Viton
PP encapsulated magnet
PP pump housing
Alumina ceramic spindle

Features

Local and/or external digital keypad control, low current 0-10 V DC signal
Longevity & maintenance free benefits of magnetic coupling
Deep groove motor ball bearings
IP55 motor housing standard

NEMP20/30IV

Voltage

230V 1Ph 50/60 Hz

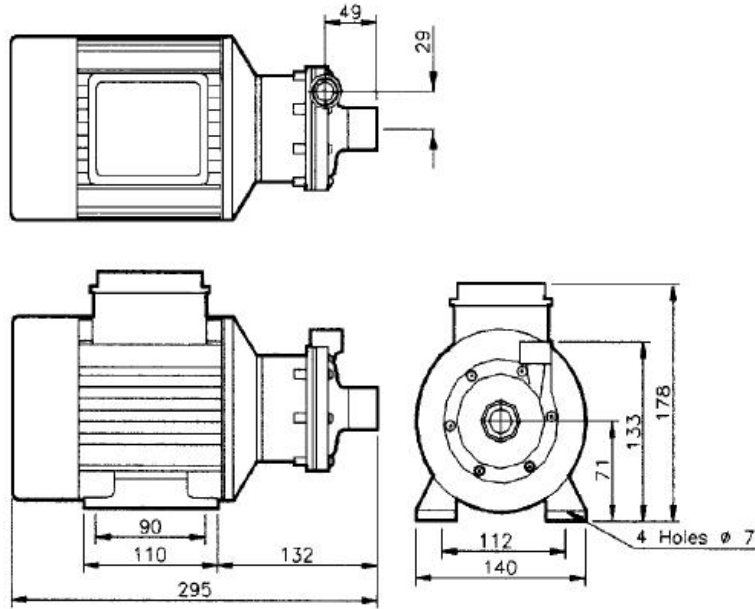
Port Details

Inlet 1/2" bsp Female Outlet 3/8" bsp Female

Installation

Drawings not to scale
Dimensions in millimetres

NEMP20/30IV



Specification

Model	Overall height (mm)	Overall length (mm)	Overall width (mm)	Weight (kg)	Max body pressure (bar)	*specific gravity	Run-out flow rate (l/min)	Closed valve head (m)
NEMP20/30IV	178	295	140	6.3	1.4	1.2	26	28
						High SG 1.8	20.5	21.5

*Assuming maximum viscosity of 30cp. Refer to Totton Pumps for higher viscosities and specific gravities

Motor

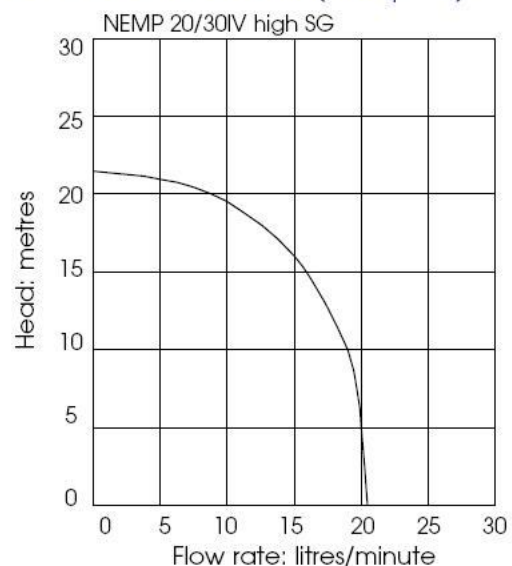
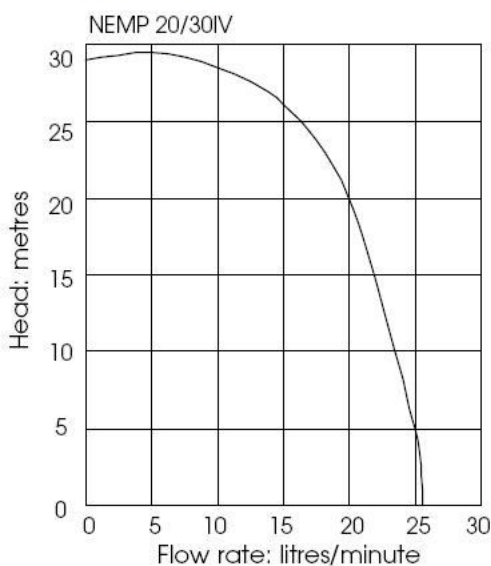
Operating temperature range -20° C to +40° C
220/240V 3 phase maximum operating speed 7,000 rpm
3 metres 4 core 1mm² mains voltage cable connection to inverter

Inverter

Supply to inverter 220/240V single phase 50/60 Hz
Inverter output 220/240V 3 phase 0.5 to 120 Hz
Maximum run current 1.5 amps
Operating temperature -10° C to +50° C

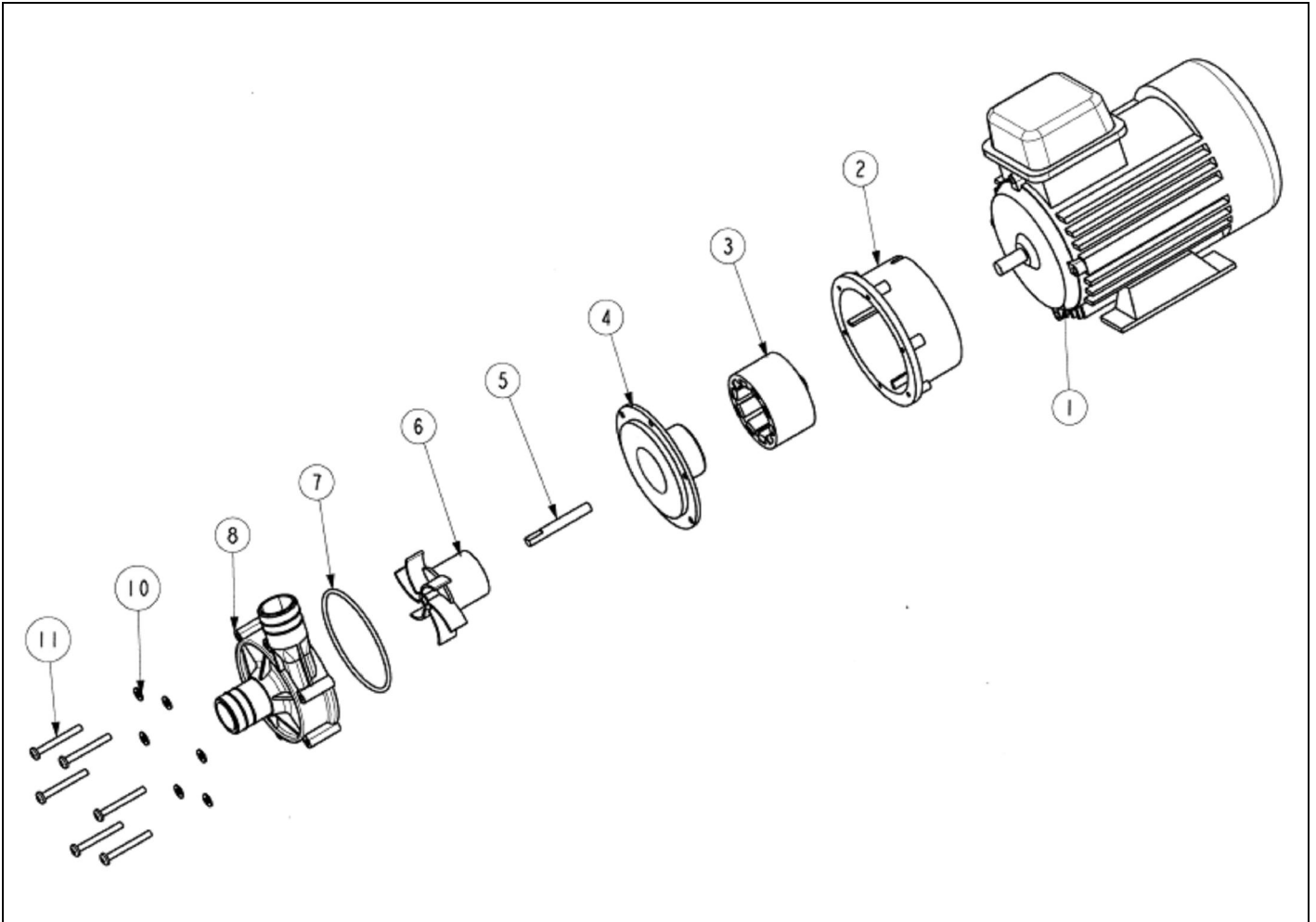
Performance

Performance Tested with clean cold water @ 20° c, run at 120Hz (max speed)



NOTE: These magnetically coupled pumps are designed for use with clean fluids. Solids will cause jamming. Abrasives will reduce pump life & invalidate the warranty.
NEMP pumps are not self priming & are not designed to run dry
The company reserves the right to change specifications

Part List



Item Number	Description	Quantity	Part Number	
1	Motor	1	002044	
2	Adaptor	1	002053	
3	Drive Magnet	1	002068	
4	Spindle Housing	1	002058	
5	Spindle	1	006244	
6	Impeller	1	002619 STD	002630 High SG
7	O ring	1	002060	
8	Pump Body	1	002627	
10	Washer	6	001565	
11	Screw	6	001734	

Totton Pumps Ltd.

Tel: +44 (0)23 8066 6685

Fax: +44 (0)23 8066 6880

Email: info@totton-pumps.com

Web: www.totton-pumps.co.uk