

### Principal Applications

Designed for continuous operation in, chillers, coolers, vending and general water applications

### Pipes, Fittings and Mounting Plates

SPC pumps are fitted to python systems to provide the optimum cooling rate for soft drinks, beers and wines

Braided hose or brewery tubing complete with fittings available to order  
Alternative mounting plates in stainless steel available to order

### Wetted Materials

PP or stainless steel mounting plate  
Glass filled ABS Column & Pump Body with PP Impellers,  
Stainless steel shaft & Nylon Agitator

### Features

Up to 15.8 litres/minute,  
Up to 12.1 metres head  
Low maintenance and long life  
Available with plugs and leads to suit application  
Agitator propeller fitted as standard  
Top mounted with keyhole mounting plate  
IPX4 motor housing  
Two stage pump head

### SPC42 Voltage

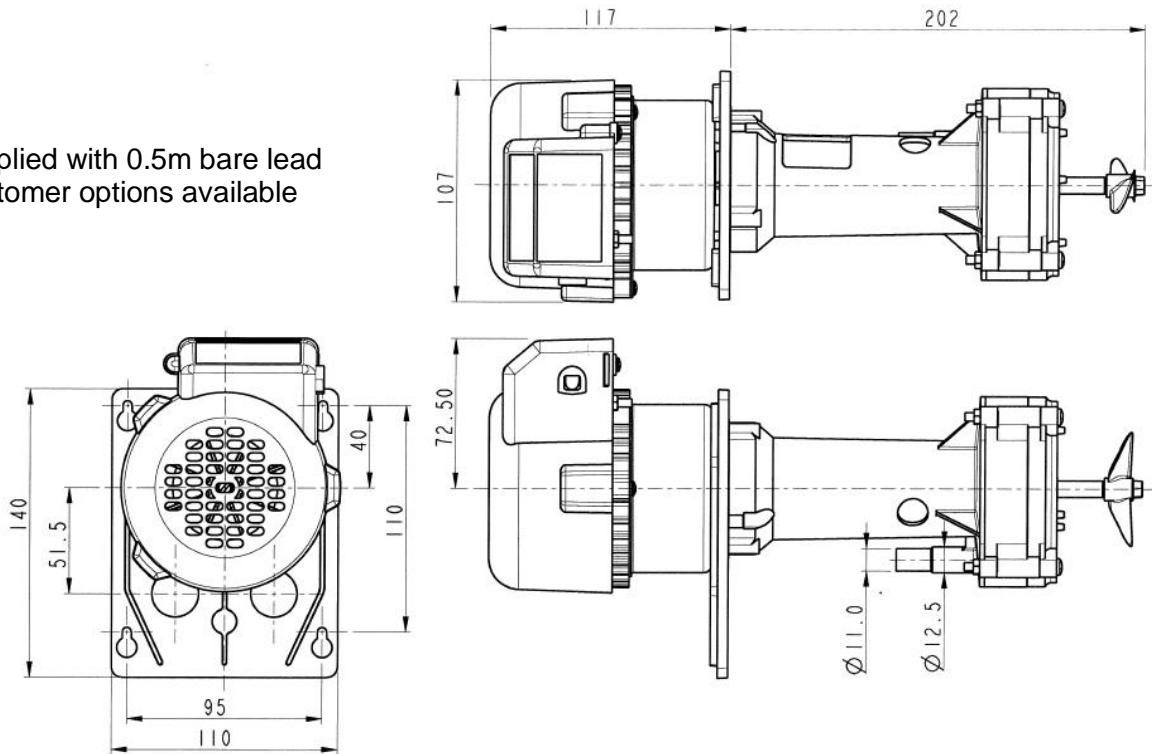
110V or 230V 50/60Hz versions

**Installation**

Drawings not to scale  
 Dimensions in millimetres

**SPC42**

Supplied with 0.5m bare lead  
 Customer options available

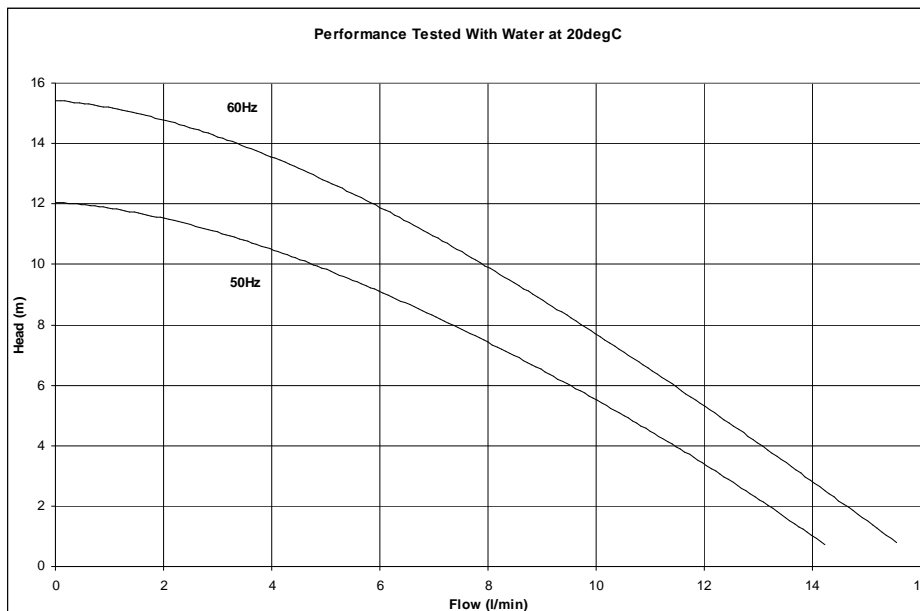


**Specification**

Model	Overall height (mm)	Overall length (mm)	Weight (kg)	Run-out flow rate (l/min)	Closed valve head (m)	Output port (mm)	Temp range (degC)	*Max specific gravity	Motor output (watts)
SPC42	117	319	2.5	50Hz 14.2	12.1	Plain 11/12.5 combined	-20 to +85	1.0	60
				60Hz 15.6	15.4				

\*Assuming maximum viscosity of 30cp. Refer to Totton Pumps for higher viscosities and specific gravities

**Performance**



**NOTE:** These pumps are designed for use with clean fluids.  
 Solids will cause jamming. Abrasives will reduce pump life & invalidate the warranty.  
 SPC pumps are self-priming. The company reserves the right to change specifications

**Totton Pumps Ltd.**

Tel: +44 (0)23 8066 6685  
 Email: [info@totton-pumps.com](mailto:info@totton-pumps.com)

Fax: +44 (0)23 8066 6880  
 Web: [totton-pumps.co.uk](http://totton-pumps.co.uk)