

Principle Applications

Designed for continuous operation in, chillers, coolers, vending and general water applications

Pipes, Fittings and Mounting Plates

SPC pumps are fitted to python systems to provide the optimum cooling rate for soft drinks, beers and wines

Braided hose or brewery tubing complete with fittings available to order

Alternative mounting plates in stainless steel available to order

Wetted Materials

Stainless steel mounting plate

TPE Impeller

ABS Column/Pump Body

Stainless steel shaft

Nylon Agitator

Features

Up to 8 litres/minute,

Up to 2 metres head

Low maintenance and long life

Available with plugs and leads to suit application

Agitator propeller fitted as standard

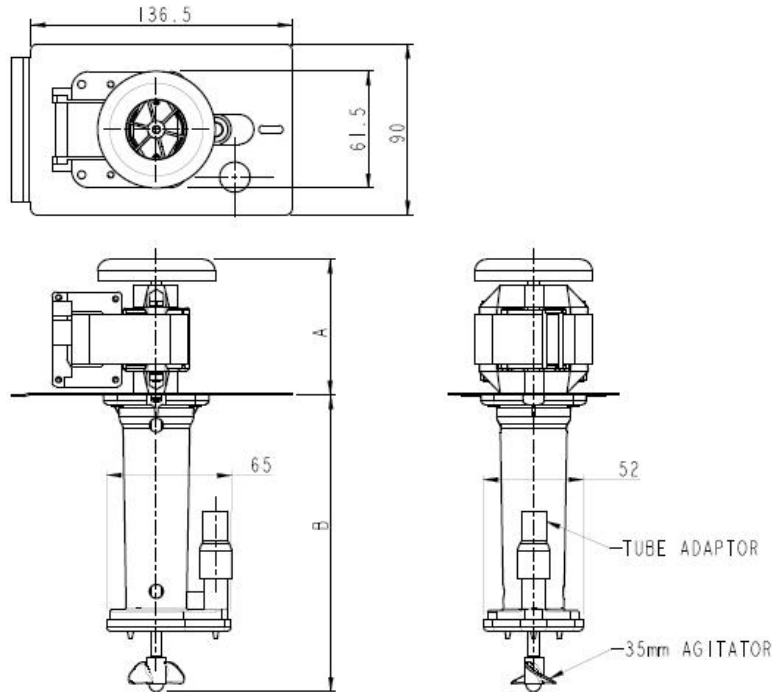
Options

110 or 230V 50/60Hz

Installation

Drawings not to scale
Dimensions in millimetres

SPC8/2

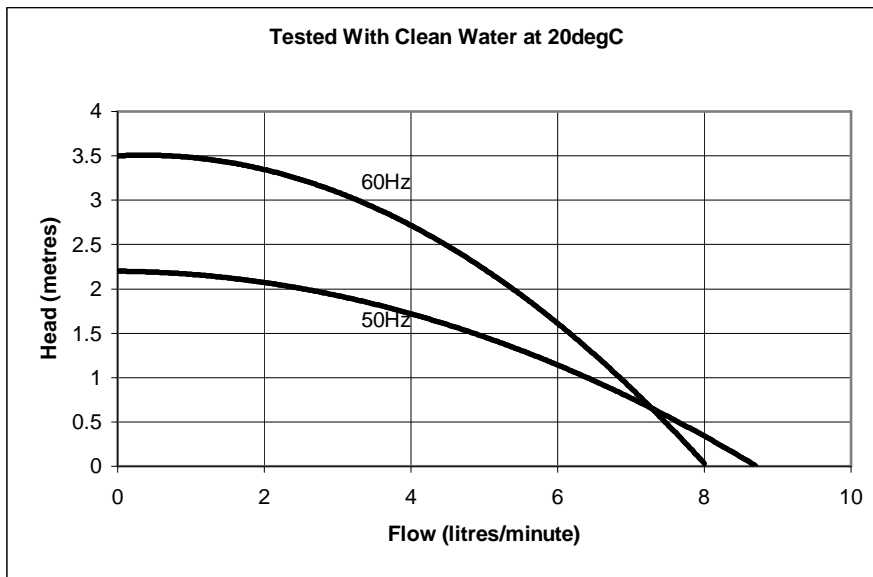


Specification

Model	Motor height A (mm)	Overall length B (mm)	Overall width (mm)	Weight (kg)	Outlet Port (mm)	Run-out flow rate (l/min)	Closed valve head (m)	Temp range (degC)	*Max specific gravity	Motor output (watts)
SPC8/2	71(25mm motor)	153(long column)	90	1.0	12	8.5 (50Hz)	2.2 (50Hz)	-20 to +85	1.2	10
	61(16mm motor)	113(short column)				7.8 (60Hz)	3.5 (60Hz)			

*Assuming maximum viscosity of 30cp. Refer to Totton Pumps for higher viscosities and specific gravities

Performance



Note: These pumps are designed for use with clean fluids.
Solids will cause jamming. Abrasives will reduce pump life and invalidate warranty.
These SPC pumps are self-priming.
The company reserves the right change specifications.

Totton Pumps Ltd.

Tel: +44 (0) 23 8066 6685
Fax: +44 (0) 23 8066 6880

Email: info@totton-pumps.com
Web: www.totton-pumps.co.uk